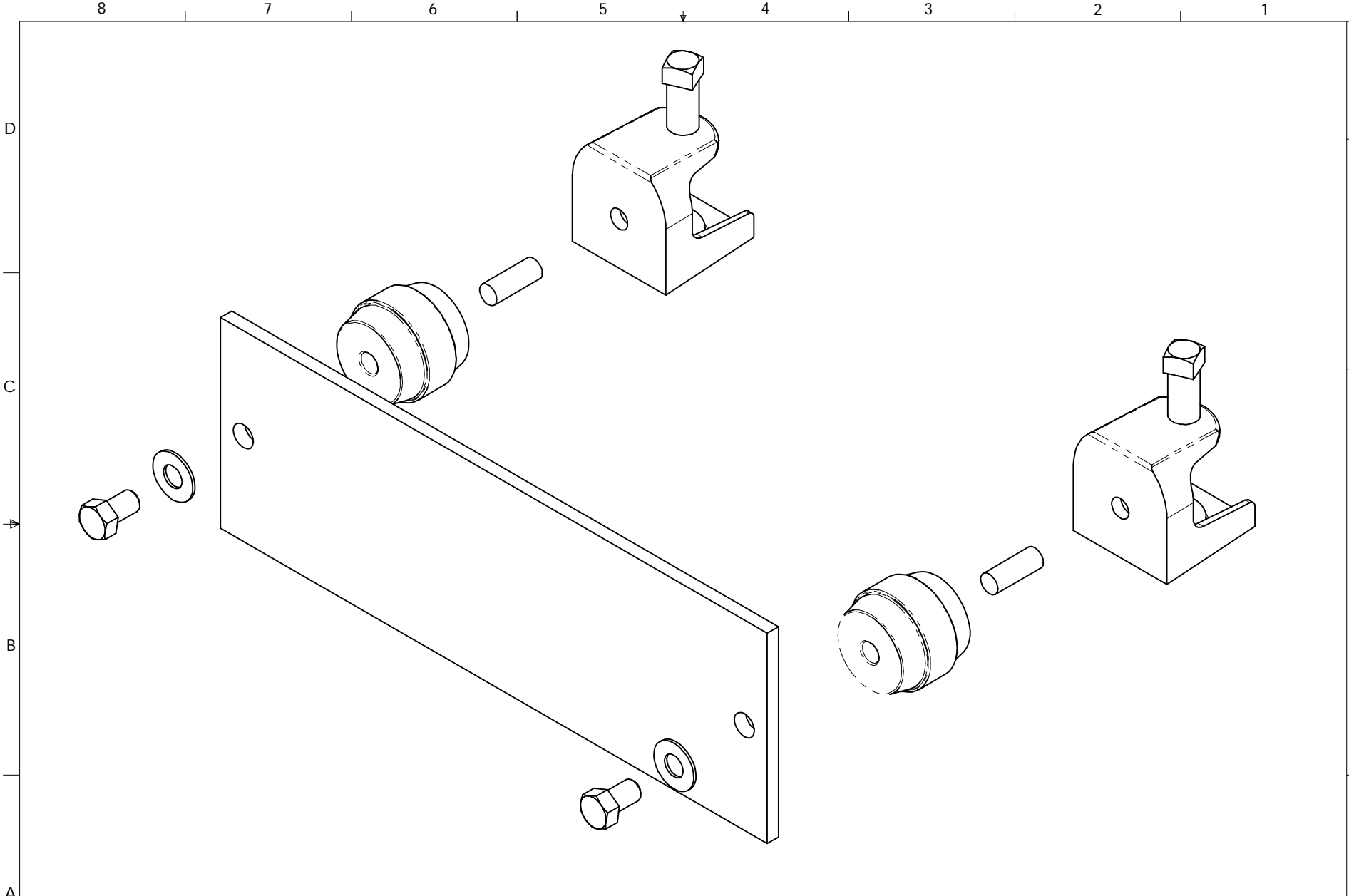



PART NO.
3875-6



<p>THE INFORMATION CONTAINED IN THIS DRAWING IS THE SOLE PROPERTY OF ALT. ANY REPRODUCTION IN PART OR WHOLE WITHOUT THE WRITTEN PERMISSION OF ALT IS PROHIBITED.</p> <p>8/7/2003</p>	<p>CAD GENERATED DRAWING. DO NOT MANUALLY UPDATE</p>		 <p>800-950-7933 FAX 940-455-2817 www.altfabrication.com sales@altfabrication.com</p>	<p>122 Leesley Lane Argyle, Texas 76226</p>	
	<p>APPROVALS</p>				<p>DATE</p>
	<p>DRAWN</p>	<p>CDM</p>	<p>07/16/03</p>	<p>GROUND BAR ASSY</p>	
	<p>CHECKED</p>	<p>JMD</p>	<p>08/04/03</p>		
	<p>ENGINEER</p>	<p>JMD</p>	<p>08/04/03</p>	<p>DWG. NO.</p>	<p>3875-6</p>
<p>ISSUED</p>	<p>DMR</p>	<p>08/04/03</p>	<p>SCALE: NTS</p>	<p>DO NOT SCALE DRAWING</p>	

A