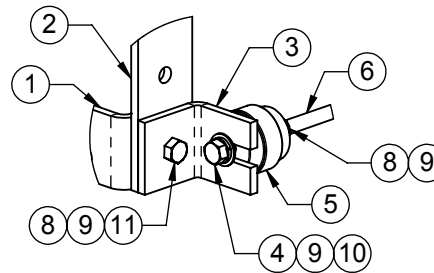
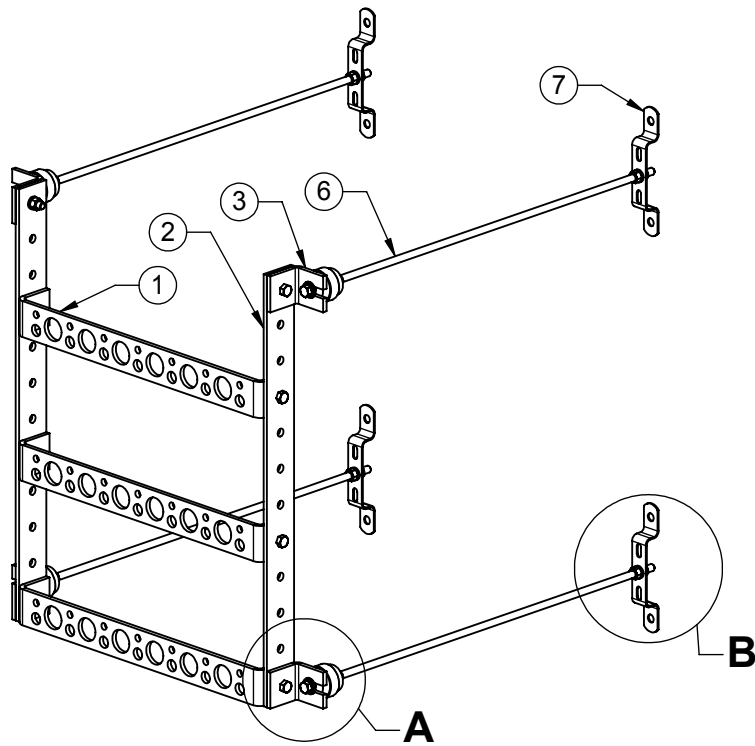
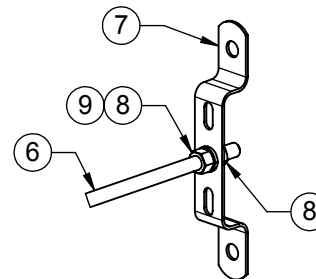


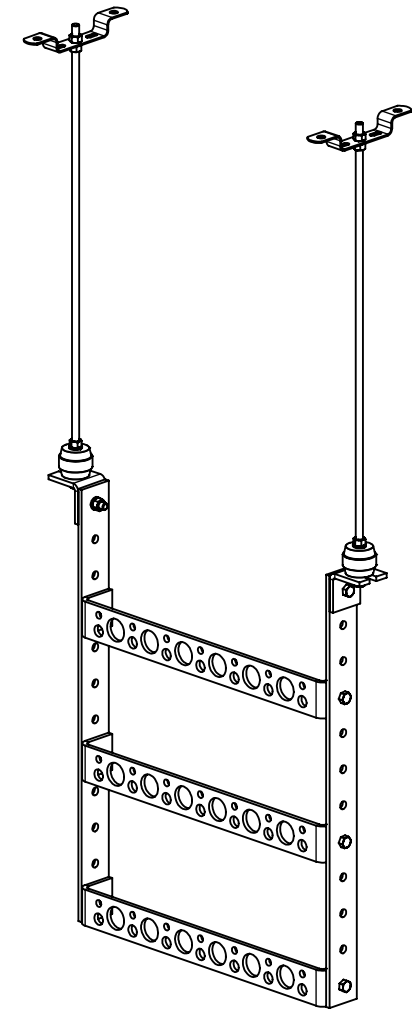
ITEM NO.	QTY.	PART NO.	DESCRIPTION
1	3	7000-3847-CU3L.1	GROUND BAR, ARRESTOR TRAPEZE
2	2	7000-3847-CU3L.2	SUPPORT BAR, ARRESTOR TRAPEZE
3	4	7000-3847-1.2	1/4" X 2" X 2" COPPER ANGLE BRACKET
4	4	4422	BOLT, 3/8" X 3/4" LG HEX, SST TAP
5	4	3870	INSULATOR
6	4	4310-24	3/8" X 24" STAINLESS THREADED ROD
7	4	3880	SS GROUND BAR MOUNTING BRACKET
8	20	4620	NUT, 3/8" HEX, SST
9	20	4724	WASHER, 3/8" RGLR LOCK, SST
10	4	4720	WASHER, 3/8" NARROW, SST
11	8	4427	BOLT, 3/8" X 1-1/4" LG HEX, SST TAP



**DETAIL A**



**DETAIL B**



**ALTERNATE CONFIGURATION**

THE INFORMATION CONTAINED IN THIS DRAWING IS THE SOLE PROPERTY OF ALT. ANY REPRODUCTION IN PART OR WHOLE WITHOUT THE WRITTEN PERMISSION OF ALT IS PROHIBITED.  8/15/2014	CAD GENERATED DRAWING, DO NOT MANUALLY UPDATE		800-950-7960 FAX 940-455-2817 www.altfabrication.com sales@altfabrication.com	122 Leesley Lane Argyle, Texas 76226					
	APPROVALS	DATE			TITLE:				
	DRAWN	CDM	07/29/03	ARRESTOR TRAPEZE 3 LEVEL COPPER					
	CHECKED	JMD	08/04/03	DWG. NO. 3847-CU3L					
	ENGINEER	JMD	08/04/03	ISSUED	JMD	08/04/03	SCALE: NTS	DO NOT SCALE DRAWING	SHEET: 1 OF 1