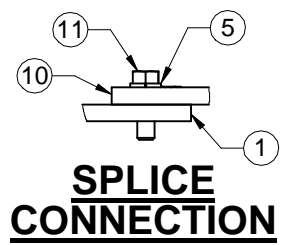
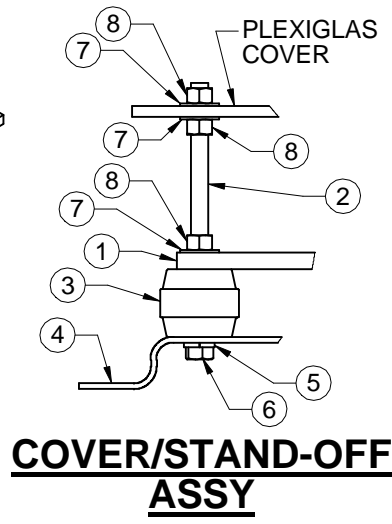
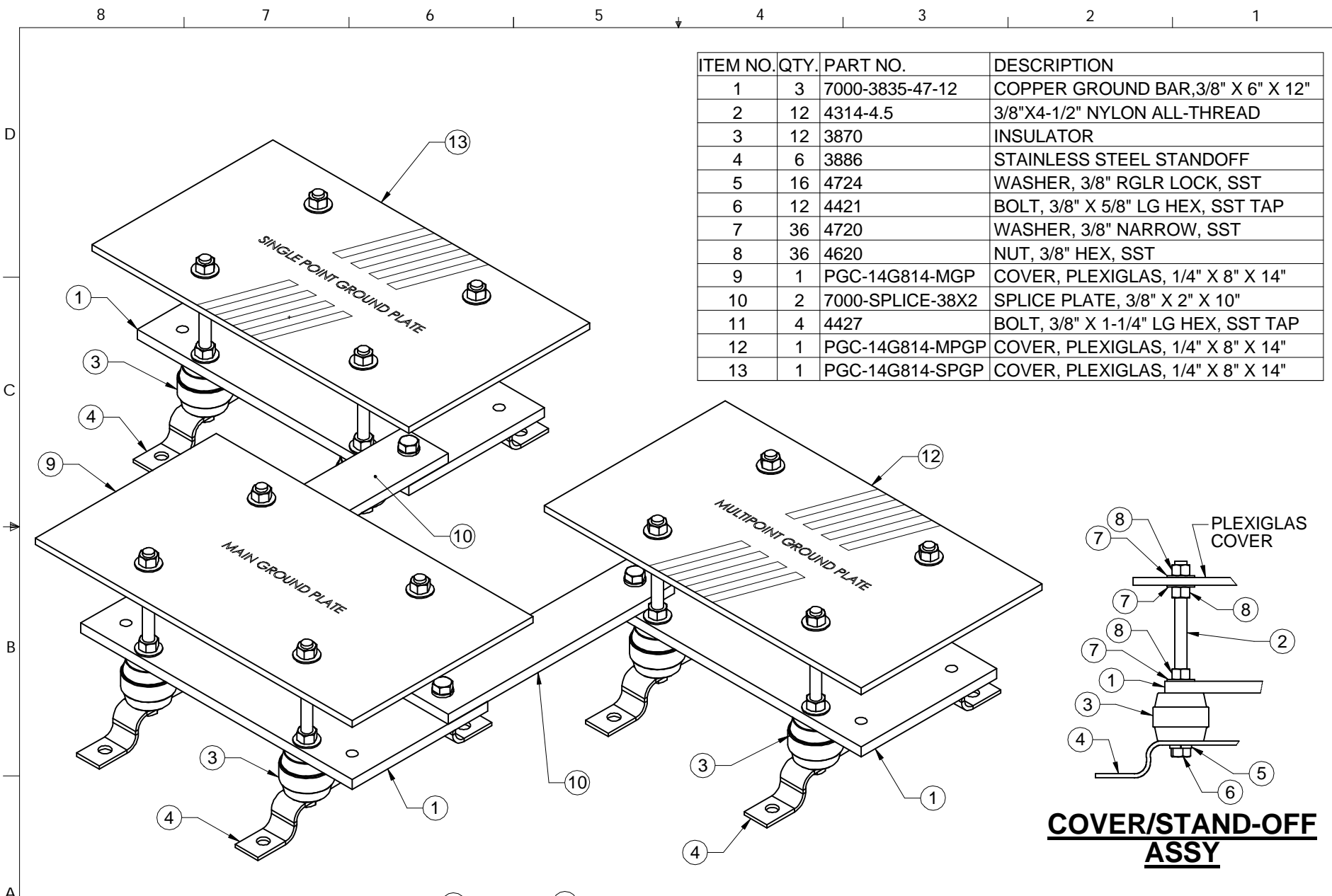


PART NO.
3835-3BARASSY

ITEM NO.	QTY.	PART NO.	DESCRIPTION
1	3	7000-3835-47-12	COPPER GROUND BAR, 3/8" X 6" X 12"
2	12	4314-4.5	3/8" X 4-1/2" NYLON ALL-THREAD
3	12	3870	INSULATOR
4	6	3886	STAINLESS STEEL STANDOFF
5	16	4724	WASHER, 3/8" RGLR LOCK, SST
6	12	4421	BOLT, 3/8" X 5/8" LG HEX, SST TAP
7	36	4720	WASHER, 3/8" NARROW, SST
8	36	4620	NUT, 3/8" HEX, SST
9	1	PGC-14G814-MGP	COVER, PLEXIGLAS, 1/4" X 8" X 14"
10	2	7000-SPLICE-38X2	SPLICE PLATE, 3/8" X 2" X 10"
11	4	4427	BOLT, 3/8" X 1-1/4" LG HEX, SST TAP
12	1	PGC-14G814-MPGP	COVER, PLEXIGLAS, 1/4" X 8" X 14"
13	1	PGC-14G814-SPGP	COVER, PLEXIGLAS, 1/4" X 8" X 14"



<p>THE INFORMATION CONTAINED IN THIS DRAWING IS THE SOLE PROPERTY OF ALT. ANY REPRODUCTION IN PART OR WHOLE WITHOUT THE WRITTEN PERMISSION OF ALT IS PROHIBITED.</p> <p>8/8/2003</p>	<p>CAD GENERATED DRAWING. DO NOT MANUALLY UPDATE</p>		<p>800-950-7933 FAX 940-455-2817 www.altfabrication.com sales@altfabrication.com</p>	<p>122 Leesley Lane Argyle, Texas 76226</p>	
	<p>APPROVALS</p>				<p>DATE</p>
	<p>DRAWN CDM</p>	<p>07/11/03</p>	<p>GROUND BAR ASSEMBLY</p>		
	<p>CHECKED JMD</p>	<p>07/15/03</p>			
<p>ENGINEER JMD</p>	<p>07/15/03</p>	<p>DWG. NO.</p>	<p>3835-3BARASSY</p>		
<p>ISSUED DMR</p>	<p>07/18/03</p>	<p>SCALE: NTS</p>	<p>DO NOT SCALE DRAWING</p>	<p>SHEET 1 OF 1</p>	

REV. A