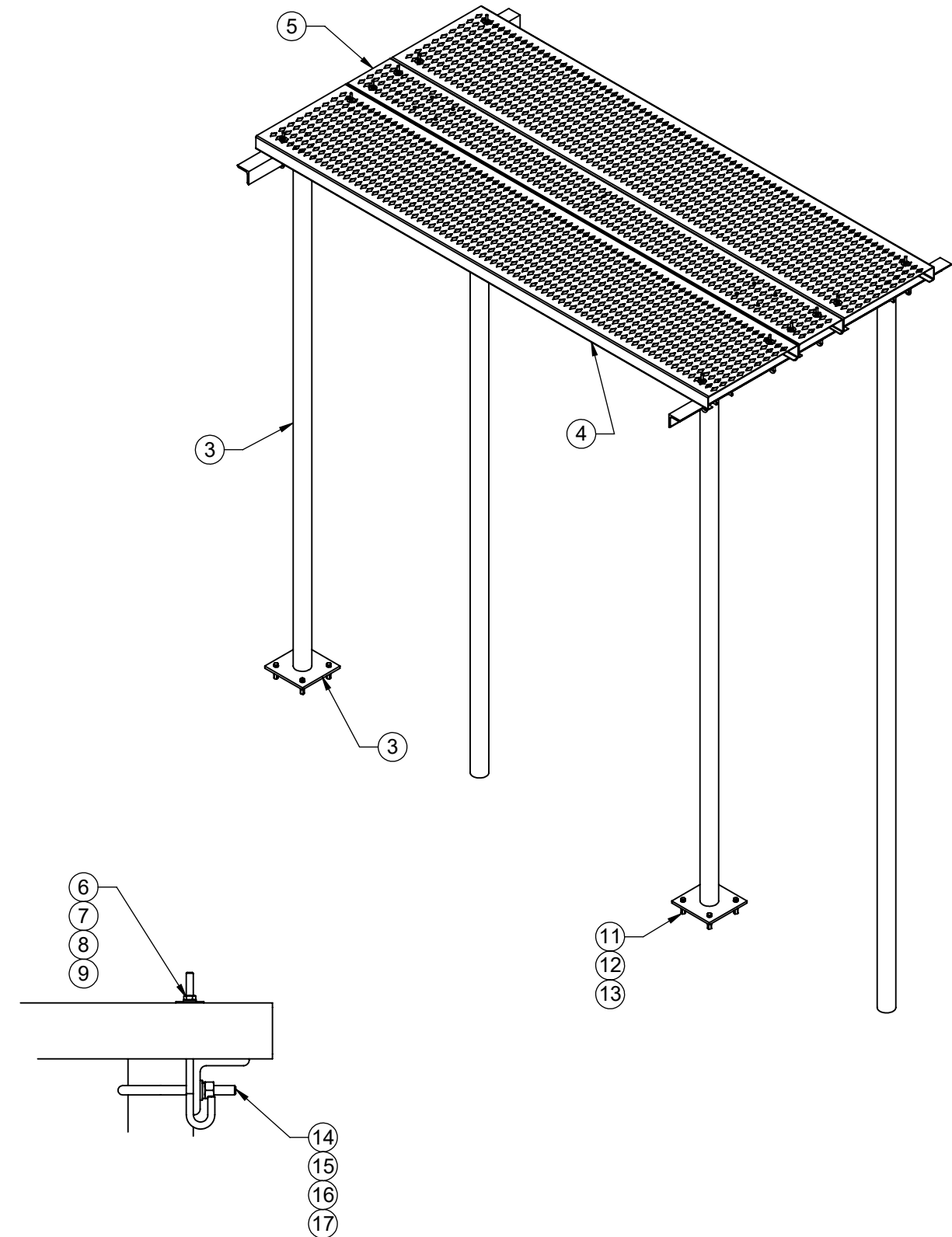
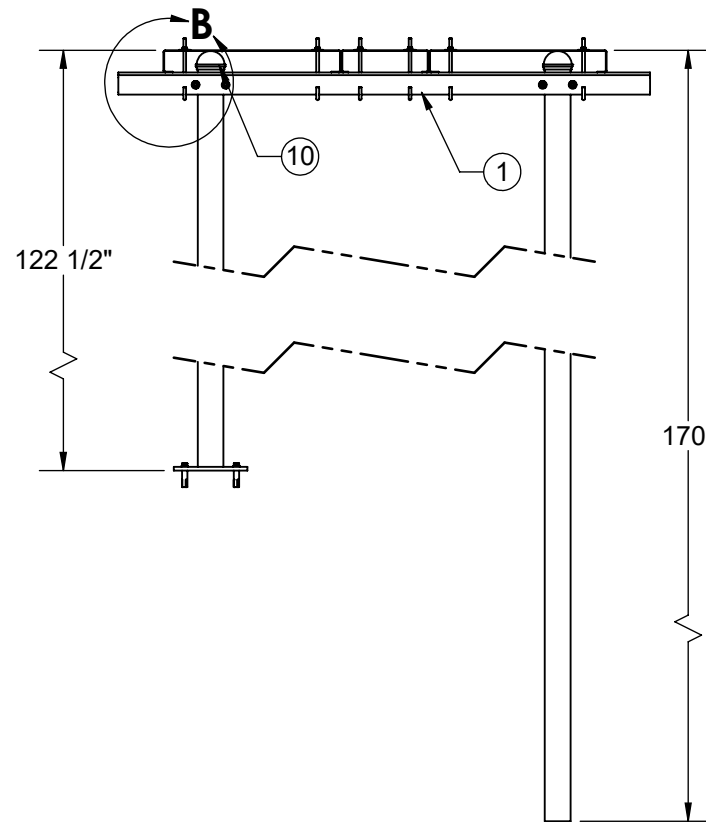



DETAIL B



DETAIL A

NOTES:
1. ASSEMBLE AS SHOWN

ITEM NO.	QTY.	PART NO.	DESCRIPTION
1	2	7000-2165-72L	SUPPORT ANGLE
2	2	2127-180	14' CANOPY PIPE
3	2	7000-2164-7-10	3-1/2" OD X 10' GALV LEG W/ FT
4	2	2160-24-31012HDG	GRIP STRUT, 3" X 24" X 10' LONG
5	1	2160-12-31012HDG	GRIP STRUT, 3" X 12" X 10' LONG
6	12	4620G-BULK	NUT, 3/8" HEX, GALV
7	12	4480G	J-BOLT, 3/8" X 8"
8	12	4720FG-BULK	3/8" FENDER WASHER
9	12	4724G-BULK	3/8" LOCK WASHER, GALV
10	4	5202-3	POST CAP, 3-1/2" OD PIPE
11	8	4830HD	1/2" DROP IN ANCHOR HEAVY DUTY
12	8	4454-BULK	BOLT, 1/2" X 1-1/2" LG HEX, SST TAP
13	8	4754-BULK	1/2" LOCKWASHER, SS
14	4	4499G	U-BOLT, 3 1/2" OD PIPE, 1/2" DIA.
15	8	4650G-BULK	NUT, 1/2" HEX, GALV
16	8	4754G-BULK	1/2" GALV LOCK WASHER
17	8	4750G-BULK	WASHER, 1/2" NARROW, GALV

FINISH HDG	MATERIAL PROD# SEE B.O.M.	 800-950-7960 FAX 940-455-2817 www.altfabrication.com sales@altfabrication.com		122 Leesley Lane Argyle, Texas 76226
DO NOT SCALE DRAWING	APPROVALS	DATE	TITLE:	
	UNLESS OTHERWISE SPECIFIED DIMENSIONS ARE IN INCHES. TOLERANCES ARE:	DRAWN AV	05/03/21	5' X 10' ICE CANOPY W/ 2 FEET AND 2 DIRECT BURIAL
FRACTIONS DECIMALS ANGLES ± 1/32 .XX ± .XX ± 1° .XXX ± .XXX	CHECKED	ENGR.	SIZE B	DWG. NO. 2165-60ICDF
5/3/2021	ISSUED	MANUFACT.	SCALE: NTS	REV. A
THE INFORMATION CONTAINED IN THIS DRAWING IS THE SOLE PROPERTY OF allG. ANY REPRODUCTION IN PART OR WHOLE WITHOUT THE WRITTEN PERMISSION OF allG IS PROHIBITED.			WEIGHT 667.78	SHEET 1 OF 1