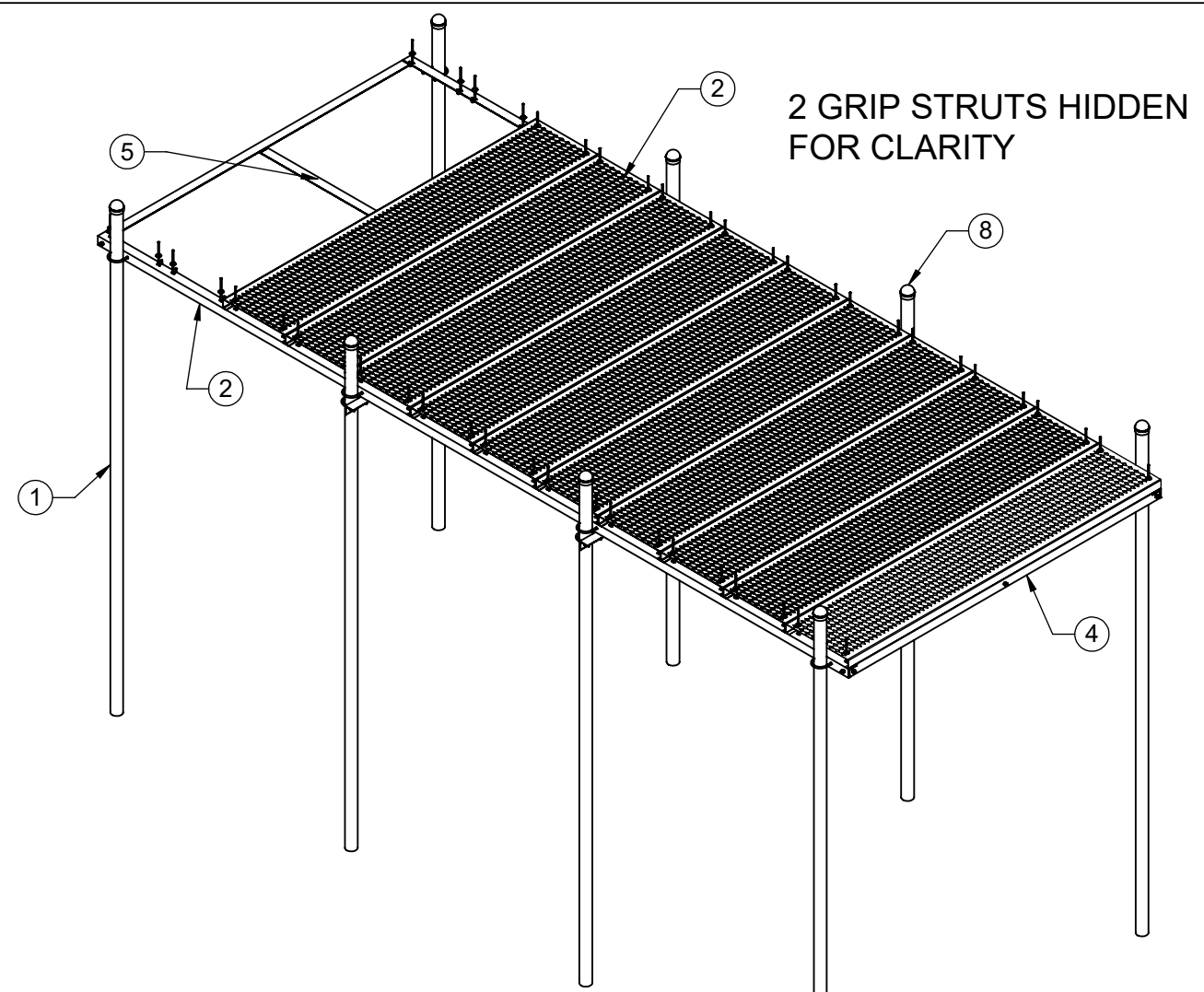
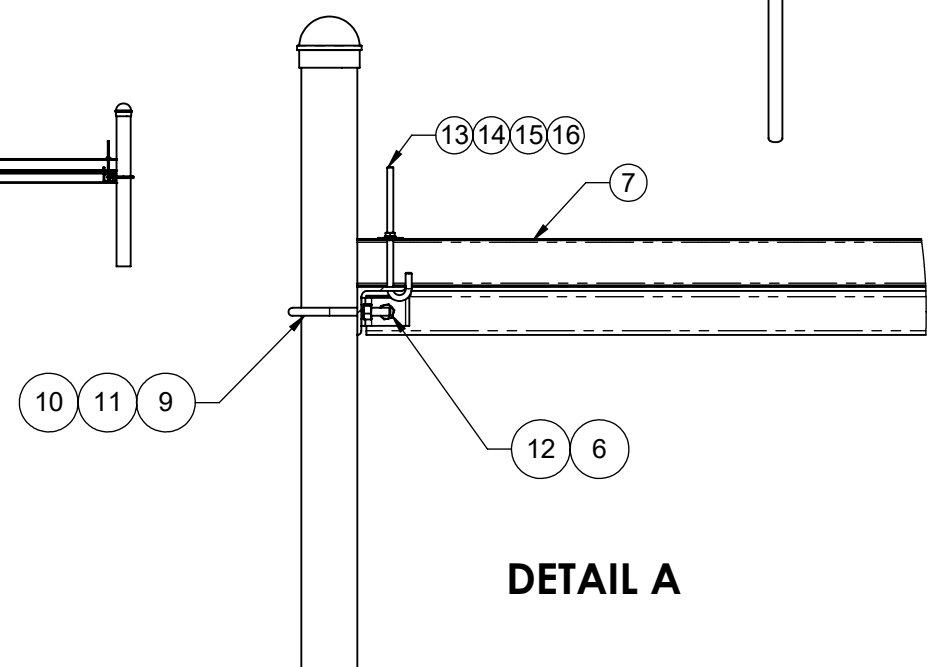
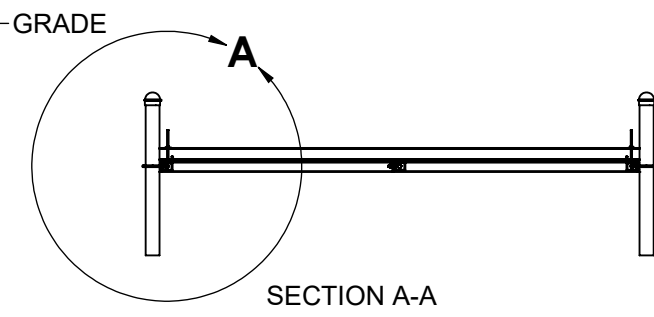
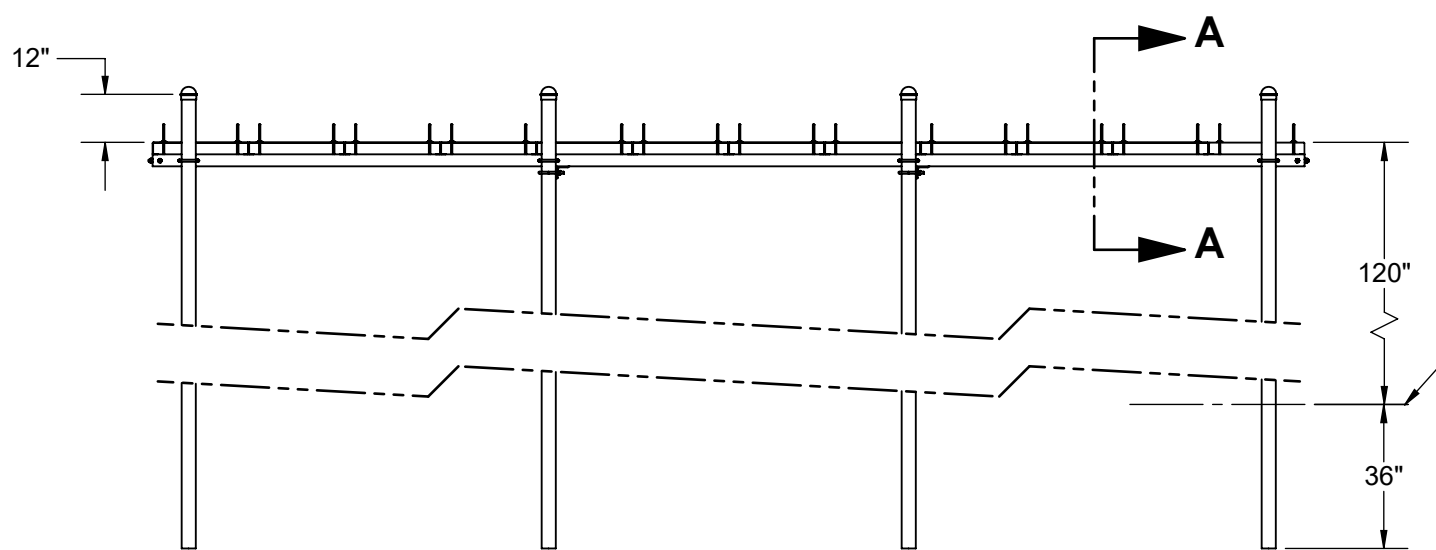


GRIP STRUTS HIDDEN FOR CLARITY




2 GRIP STRUTS HIDDEN FOR CLARITY



DETAIL A

ITEM NO.	QTY.	PART NO.	DESCRIPTION
1	8	2127-180	14' CANOPY PIPE
2	2	7000-2165-1024-2	FRONT/BACK ANGLE
3	2	7000-2165-1024-3	MID SPAN SUPPORT
4	2	7000-2165-1024-4	SIDE ANGLE
5	1	7000-2165-1024-5	CENTER ANGLE
6	6	7000-2165-1218-6	CLIP ANGLE
7	12	2160-24-31012HDG	GRIP STRUT 24" WIDE X 3" DEEP
8	8	5202-3	PIPE CAP, 3 1/2" GALV
9	12	4499-3G	U-BOLT, 4" OD PIPE, GALV 1/2" DIA
10	36	4650G-BULK	NUT, 1/2" HEX, A563 GALV
11	36	4754G-BULK	WASHER, 1/2" RGLR LOCK, GALV
12	12	4454G-BULK	BOLT, 1/2" x 1-1/2" LG HEX, A325 GALV.
13	48	4480G	J-BOLT, 3/8" X 8"
14	48	4620G-BULK	NUT, 3/8" HEX, GALV
15	48	4720FG-BULK	3/8" FENDER WASHER
16	48	4724G-BULK	3/8" LOCK WASHER, GALV

FINISH NONE	MATERIAL PROD# SEE B.O.M.	 800-950-7960 FAX 940-455-2817 www.altfabrication.com sales@altfabrication.com		122 Leesley Lane Argyle, Texas 76226
DO NOT SCALE DRAWING UNLESS OTHERWISE SPECIFIED DIMENSIONS ARE IN INCHES. TOLERANCES ARE: FRACTIONS DECIMALS ANGLES $\pm 1/32$.XX $\pm .XX$ $\pm 1^\circ$.XXX $\pm .XXX$	APPROVALS	DATE	TITLE:	
	DRAWN AS	02/15/17	10' X 24' ICE CANOPY	
	CHECKED		SIZE B	DWG. NO. 2165-1024-DB-G
	ENGR.		REV. A	
THE INFORMATION CONTAINED IN THIS DRAWING IS THE SOLE PROPERTY OF ALT. ANY REPRODUCTION IN PART OR WHOLE WITHOUT THE WRITTEN PERMISSION OF ALT IS PROHIBITED.	ISSUED		SCALE: NTS	WEIGHT 2386.51
	MANUFACT.		SHEET 1 OF 1	