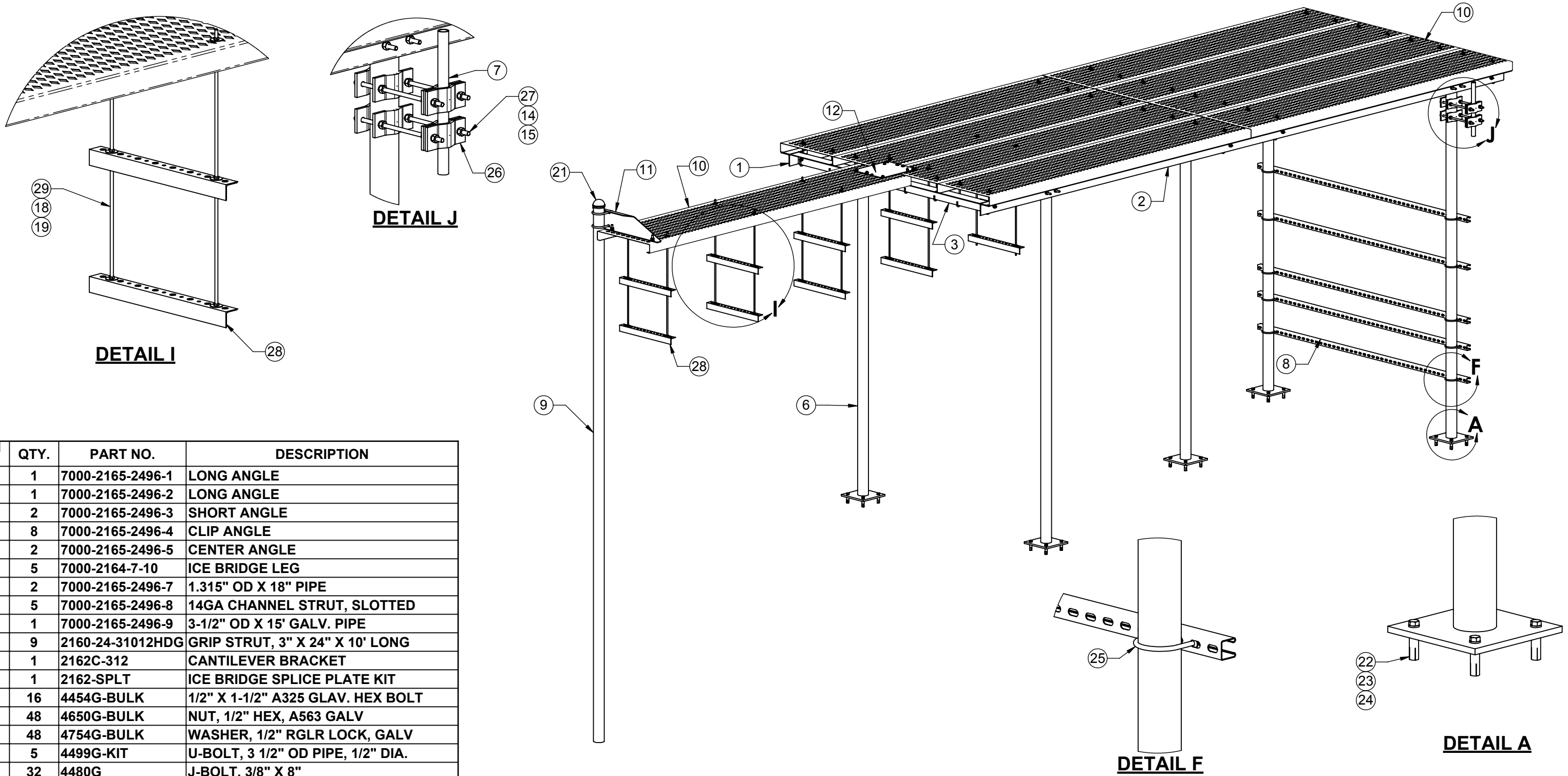

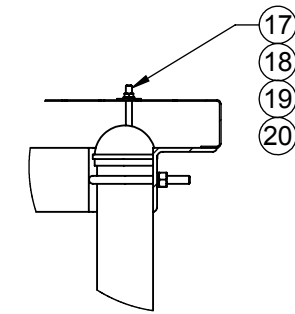
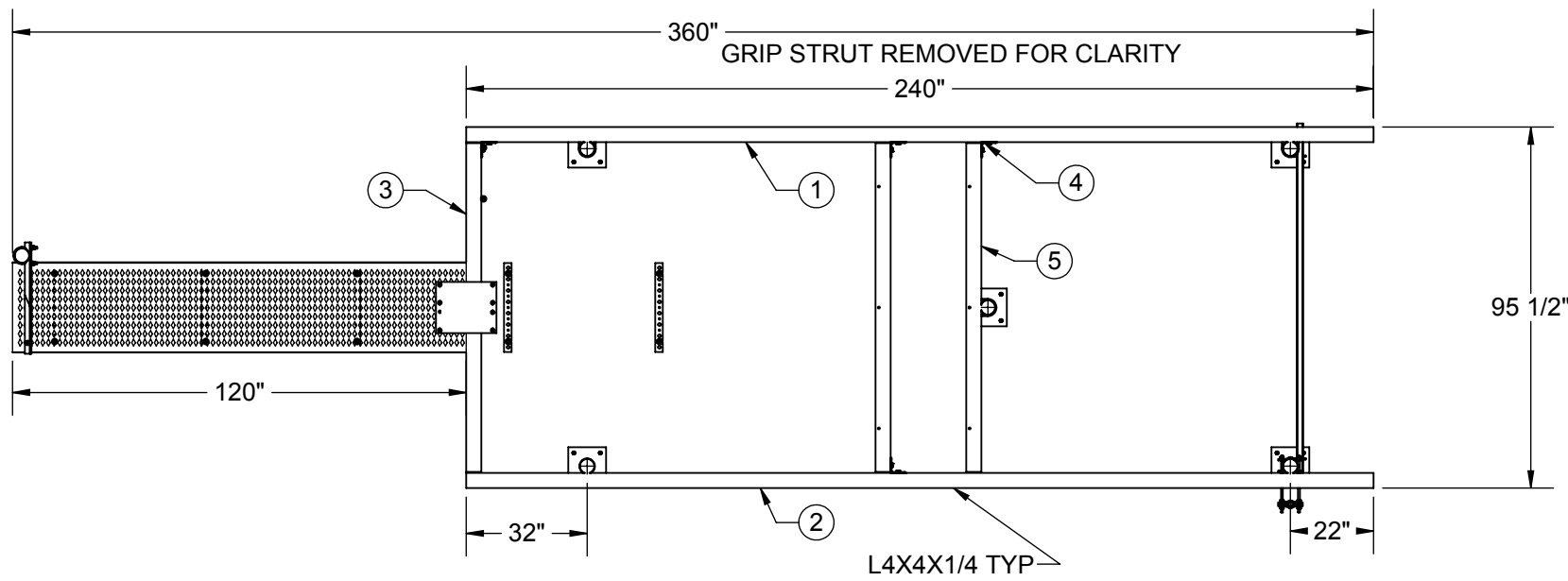


		REVISIONS		DATE	APPROVED
REV.		DESCRIPTION			
B		REMOVED 6 PCS OF CHANNEL STRUT		05/31/16	BTM

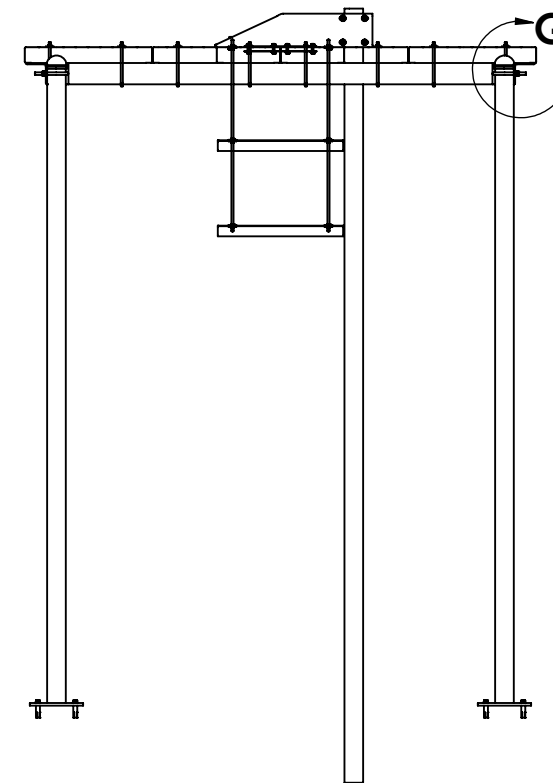
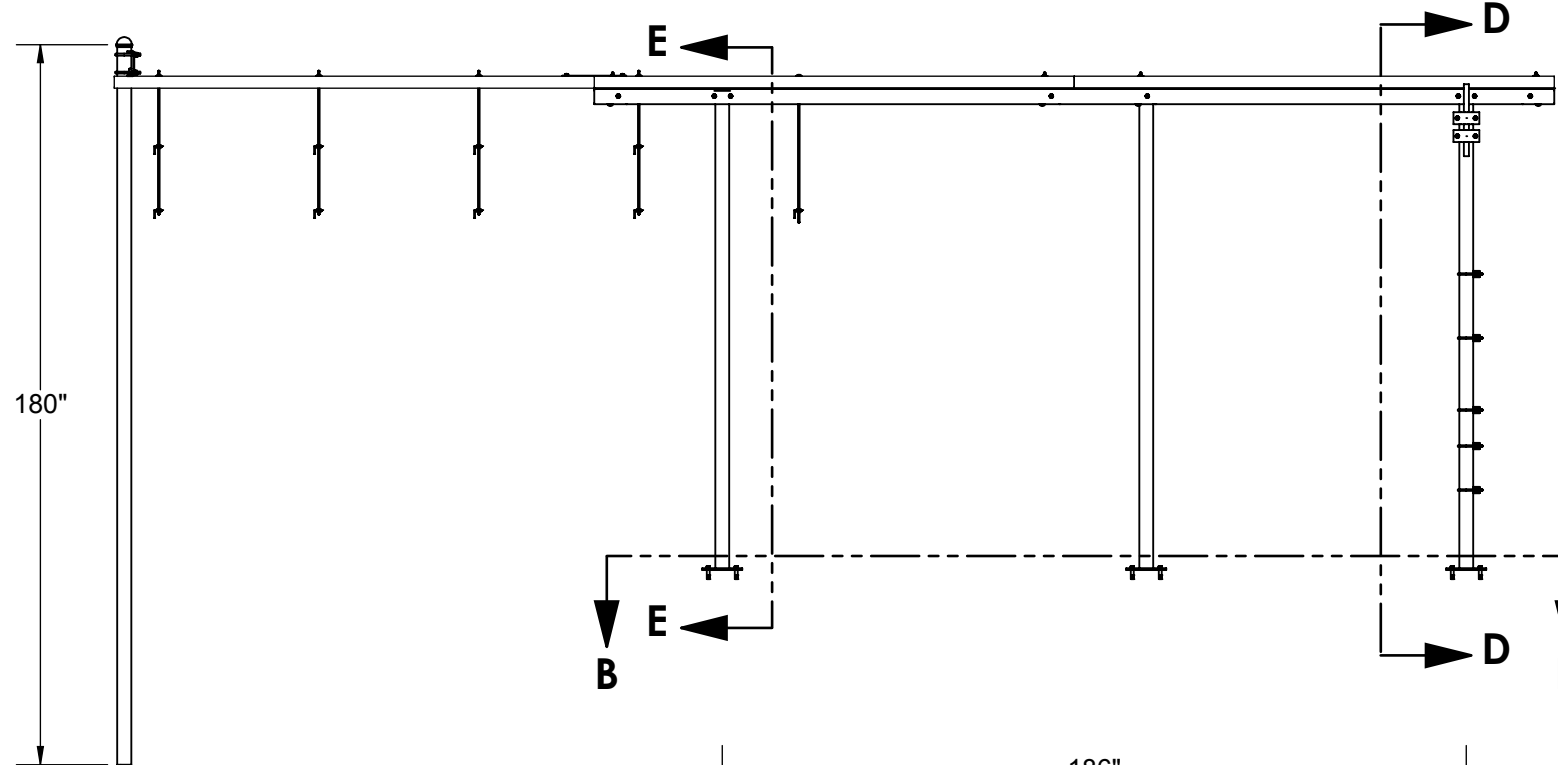


ITEM NO.	QTY.	PART NO.	DESCRIPTION
1	1	7000-2165-2496-1	LONG ANGLE
2	1	7000-2165-2496-2	LONG ANGLE
3	2	7000-2165-2496-3	SHORT ANGLE
4	8	7000-2165-2496-4	CLIP ANGLE
5	2	7000-2165-2496-5	CENTER ANGLE
6	5	7000-2164-7-10	ICE BRIDGE LEG
7	2	7000-2165-2496-7	1.315" OD X 18" PIPE
8	5	7000-2165-2496-8	14GA CHANNEL STRUT, SLOTTED
9	1	7000-2165-2496-9	3-1/2" OD X 15' GALV. PIPE
10	9	2160-24-31012HDG	GRIP STRUT, 3" X 24" X 10' LONG
11	1	2162C-312	CANTILEVER BRACKET
12	1	2162-SPLT	ICE BRIDGE SPLICE PLATE KIT
13	16	4454G-BULK	1/2" X 1-1/2" A325 GLAV. HEX BOLT
14	48	4650G-BULK	NUT, 1/2" HEX, A563 GALV
15	48	4754G-BULK	WASHER, 1/2" RGLR LOCK, GALV
16	5	4499G-KIT	U-BOLT, 3 1/2" OD PIPE, 1/2" DIA.
17	32	4480G	J-BOLT, 3/8" X 8"
18	88	4620G-BULK	NUT, 3/8" HEX, GALV
19	88	4720FG-BULK	3/8" FENDER WASHER
20	60	4724G-BULK	3/8" LOCK WASHER, GALV
21	6	5202-3	POST CAP, 3-1/2" OD PIPE
22	20	4830HD	1/2" DROP IN ANCHOR
23	20	4455	1/2" X 2" SST HEX CAP BOLT
24	20	4754-BULK	1/2" LOCKWASHER, SS
25	10	4477-2G-KIT	U-BOLT, 3 1/2" OD PIPE, 3/8" DIA.
26	16	7000-2119-1	PIPE TO PIPE CLAMP
27	8	4375G-15	1/2" X 15" GALV. ALL THREAD
28	9	7000-2164-2	1/8" X 2" X 2" ANGLE HANGER
29	10	4310G-36	3/8" x 36" ALL-THREAD, GALV

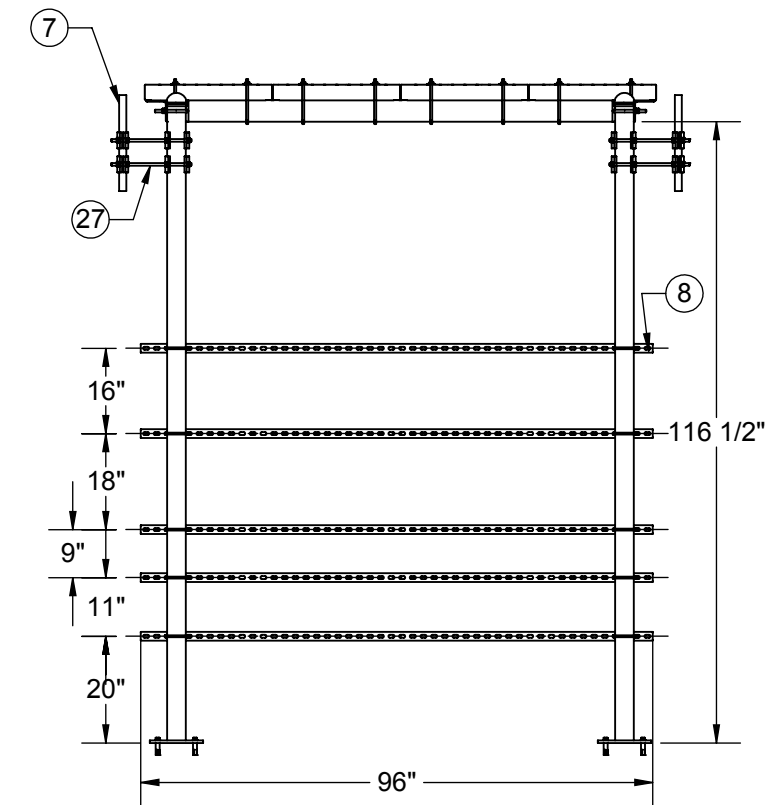
FINISH HDG	MATERIAL PROD# SEE B.O.M.	 800-950-7960 FAX 940-455-2817 www.altfabrication.com sales@altfabrication.com		122 Leesley Lane Argyle, Texas 76226
DO NOT SCALE DRAWING	APPROVALS	DATE	TITLE:	
UNLESS OTHERWISE SPECIFIED DIMENSIONS ARE IN INCHES. TOLERANCES ARE: FRACTIONS DECIMALS ANGLES ± 1/32 .XX ± .XX ± 1° .XXX ± .XXX	DRAWN SF	11/27/12	ICE BRIDGE CANOPY PAD MOUNTED	
4/5/2017	CHECKED DMR	01/07/13	SIZE B	DWG. NO. 2165-820-PM-G
THE INFORMATION CONTAINED IN THIS DRAWING IS THE SOLE PROPERTY OF ALT. ANY REPRODUCTION IN PART OR WHOLE WITHOUT THE WRITTEN PERMISSION OF ALT IS PROHIBITED.	ENGR.		SCALE: NTS	WEIGHT 1960
	ISSUED		SHEET 1 OF 2	REV. B
	MANUFACT.			



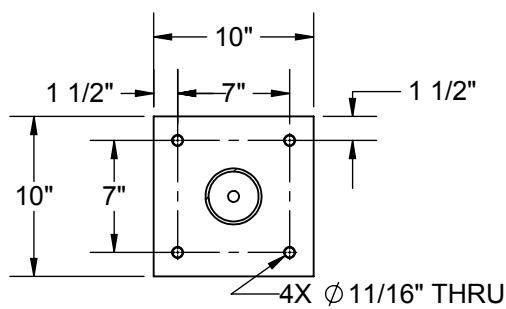
**DETAIL G**



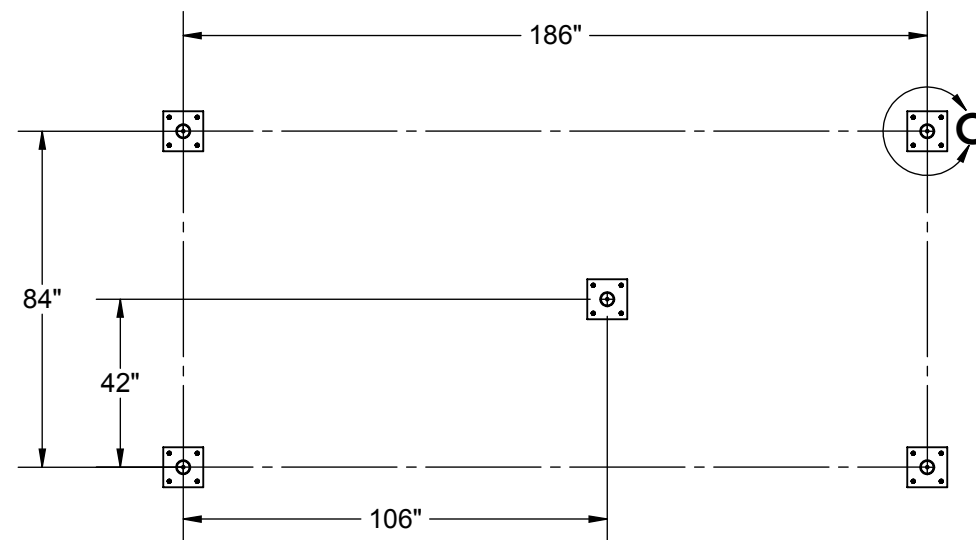
**SECTION E-E**




**SECTION D-D**



**5X DETAIL C**



**SECTION B-B**

FINISH HDG	MATERIAL PROD# SEE B.O.M.		 800-950-7960 FAX 940-455-2817 www.altfabrication.com sales@altfabrication.com	122 Leesley Lane Argyle, Texas 76226
DO NOT SCALE DRAWING	APPROVALS	DATE		TITLE:
UNLESS OTHERWISE SPECIFIED DIMENSIONS ARE IN INCHES. TOLERANCES ARE:	DRAWN SF	11/27/12	ICE BRIDGE CANOPY PAD MOUNTED	
FRACTIONS DECIMALS ANGLES ± 1/32 .XX ± .XX ± 1° .XXX ± .XXX	CHECKED DMR	01/07/13	SIZE B	REV. B
4/5/2017	ENGR.		DWG. NO. 2165-820-PM-G	
THE INFORMATION CONTAINED IN THIS DRAWING IS THE SOLE PROPERTY OF ALT. ANY REPRODUCTION IN PART OR WHOLE WITHOUT THE WRITTEN PERMISSION OF ALT IS PROHIBITED.	ISSUED		SCALE: NTS	SHEET 2 OF 2
	MANUFACT.		WEIGHT 1960	