
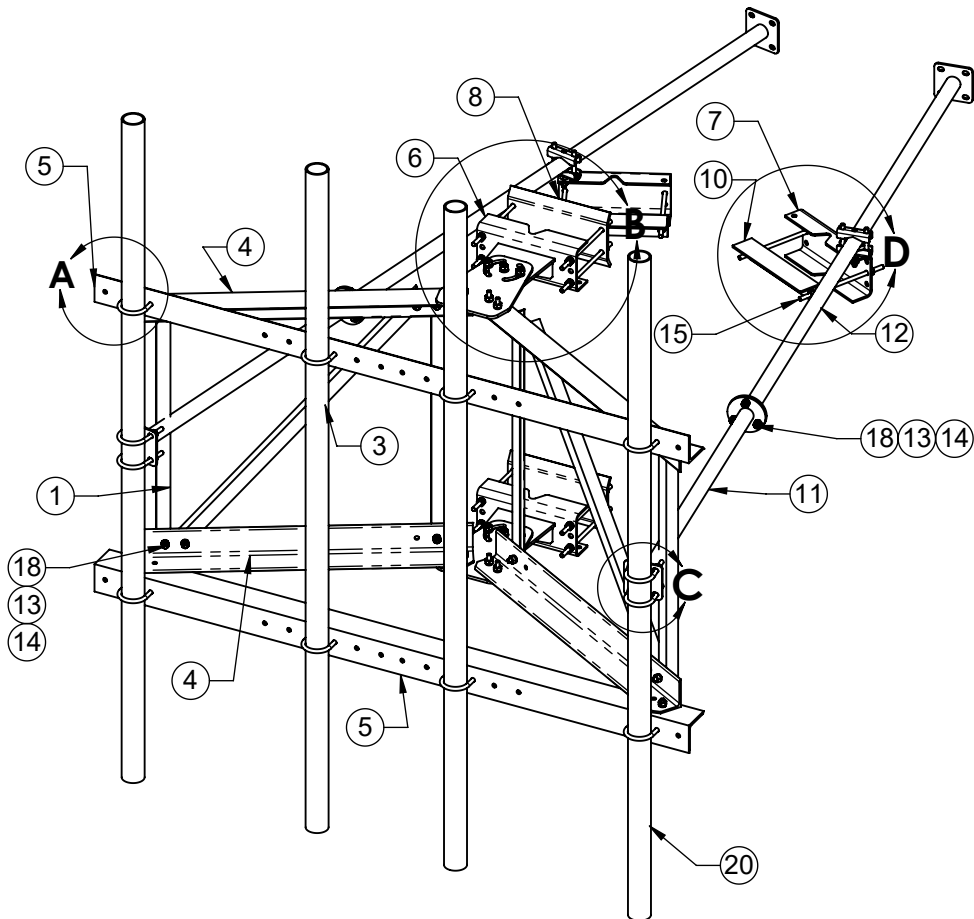
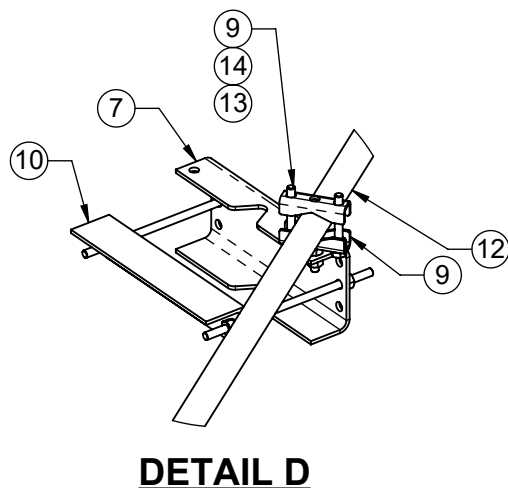
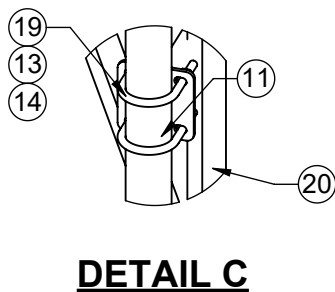
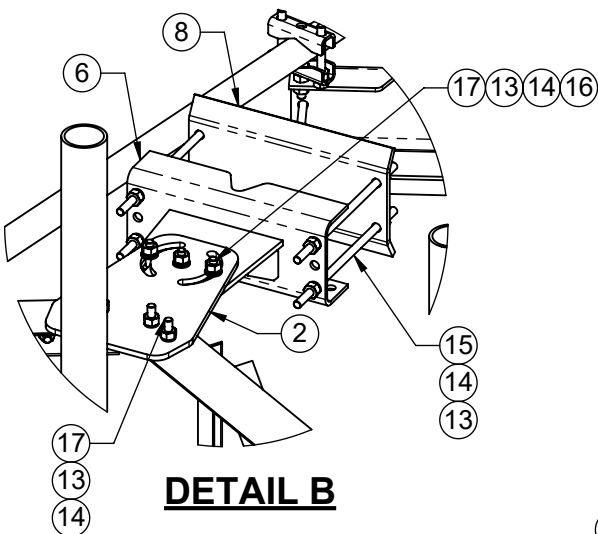
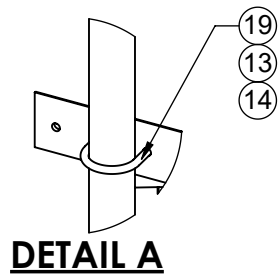


- MAXIMUM MOUNT HEIGHT: 400 ft.
- MAXIMUM ULTIMATE WIND SPEED, NO ICE: 180 mph (3-SECOND GUST)
- MAXIMUM DESIGN WIND SPEED, NO ICE: 140 mph (3-SECOND GUST)
- MAXIMUM DESIGN WIND SPEED, WITH ICE: 60 mph (3-SECOND GUST)
- STRUCTURE CLASS: I or II
- EXPOSURE CATEGORY: B or C
- TOPOGRAPHIC CATEGORY: I
- MAXIMUM DESIGN ICE THICKNESS: 1"
- GUST EFFECT FACTOR, Gh: 1.0
- WIND DIRECTION PROBABILITY FACTOR, Kd: 0.95

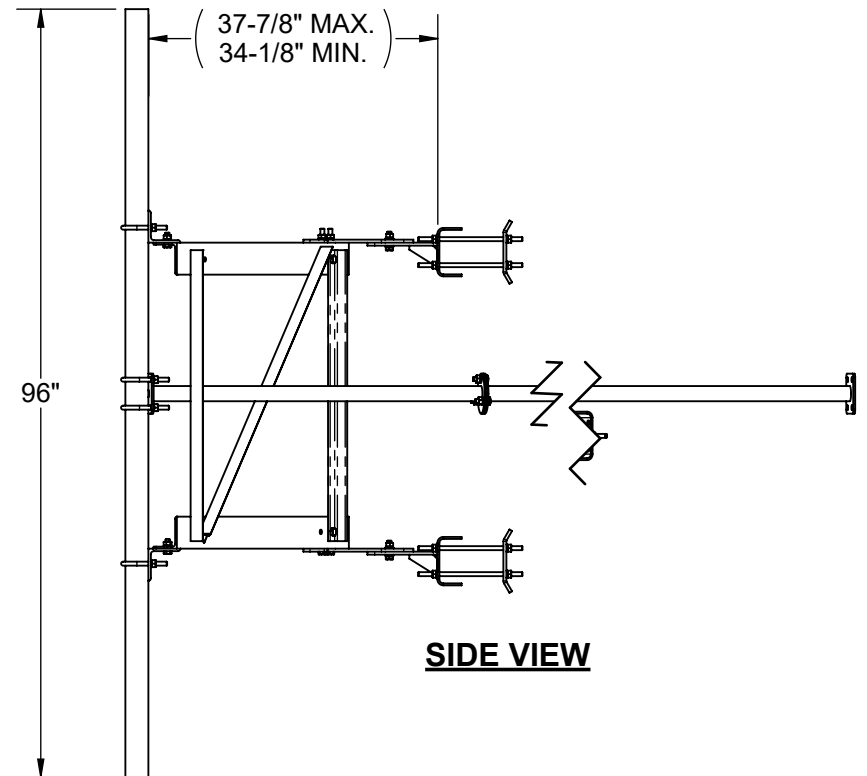
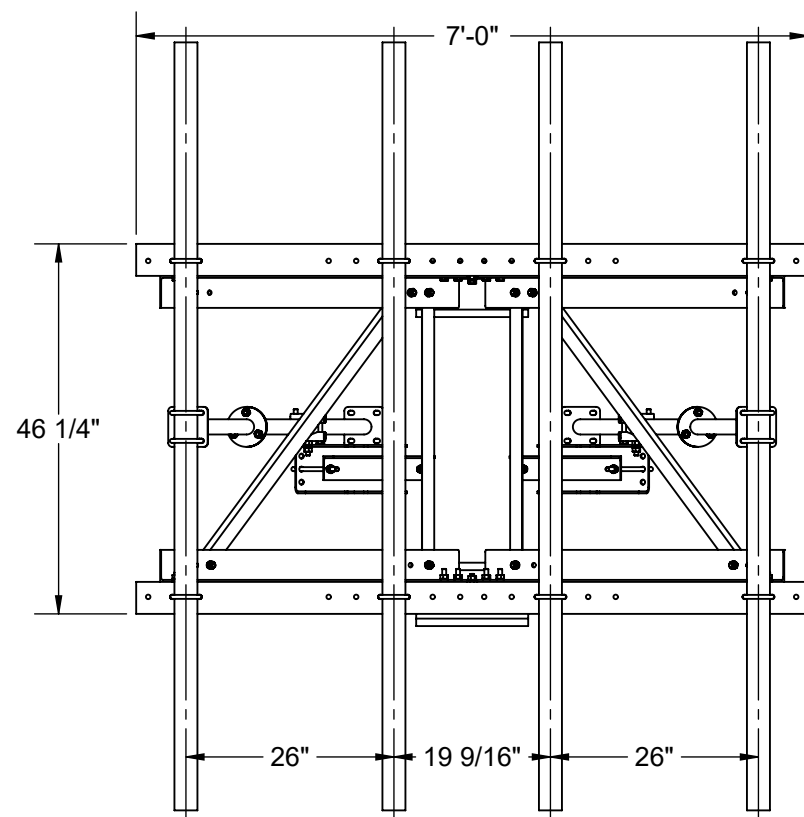
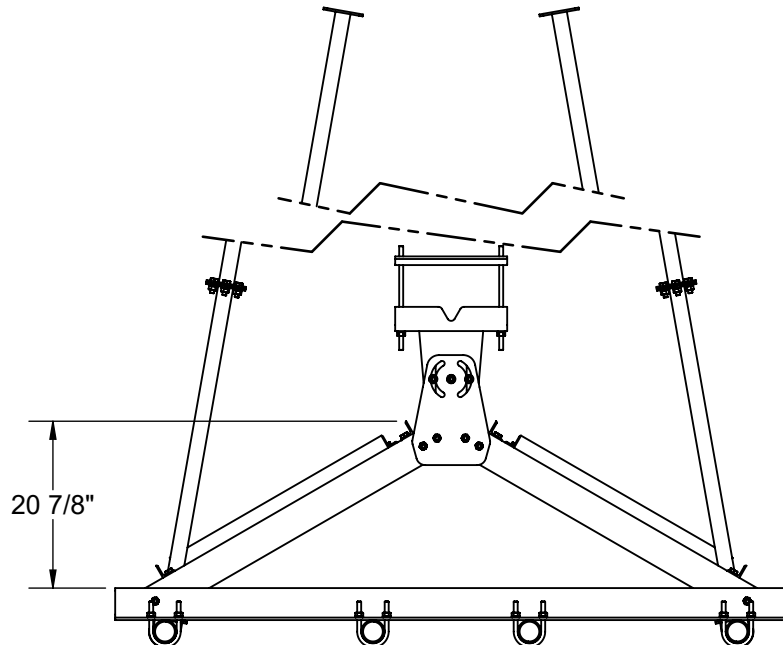
1. ALT FABRICATION MOUNT 2116S-7-4-96 IS CLASSIFIED AS M3300R(2700)-4[6] BASED ON THE TIA-5053 MOUNTING SYSTEM CLASSIFICATION STANDARD.  
**NOTE:** MAXIMUM OF 4 PIPES EVENLY SPACED.
2. ITEM 16, FLAT WASHERS, TO BE INSTALLED AGAINST SLOTS ON ITEMS 2 AND 6.
3. INSTALL THE CENTER PIVOT BOLT/NUT/WASHER ASSEMBLY AT THE TOP AND BOTTOM TOWER LEG BRACKET WITH THE DESIRED TOWER TAPER THEN PARTIALLY TIGHTEN. ROTATE THE SECTOR FRAME TO DESIRED AZIMUTH POSITION. INSTALL OUTER (2) BOLT/NUT/WASHER THROUGH THE CURVED SLOTS IN ITEM 3 AT THE TOP AND BOTTOM.
4. TO ACHIEVE POSTED WIND RATING, FULLY TIGHTEN ALL (6) AZIMUTH PIVOT POINT BOLTS BY TURNING NUTS 1/3 PAST "SNUG TIGHT" CONDITION AS DEFINED BY AISC 9TH EDITION ASD AFTER FINAL AZIMUTH POSITIONING.
5. AZIMUTH ROTATION: ±60° ON CENTER LINE OF TOWER LEG.
6. MIN. MAX. TOWER LEG SIZE:  
 ROUND LEG - 1-1/2" OD TO 8" OD  
 90° ANGLE LEG - 2-1/2" X 2-1/2" TO 8" X 8"  
 60° ANGLE LEG - 2-1/2" X 2-1/2" TO 11" TIP TO TIP

ITEM NO.	QTY.	PART NO.	DESCRIPTION
1	4	7000-2116R-2-2	VERTICAL, FAN TRUSS, L1-3/4" X 3/16"
2	2	7000-2116R-2-3	TAPER BRACKET
3	2	7000-2116R-2-5	DIAGONAL, FAN TRUSS, L1-3/4" X 3/16"
4	4	7000-2116S-4	CHORD, FAN TRUSS, L4" X 1/4"
5	2	7000-2116S-7	MAIN FACE ANGLE, L4" X 5/16"
6	2	7000-2120-TB	WELDMENT, TOWER LEG BRACKET, UNIVERSAL
7	2	7000-2120-TB.1	TAPER BRACKET LEG ADAPTOR
8	2	7000-2120-AA.2	BACKPLATE, ANGLE LEG ADAPTER,
9	2	7000-2120-KD.2	SWAY BAR CLAMP ASSEMBLY
10	2	7000-2120-KD.3	CLAMP ANGLE 1/4" X 3" X 14"
11	2	7000-2120-KD.42	1.9"OD X 42" SWAY BAR WELDMENT
12	2	7000-2120-KD.84	1.9"OD X 84" SWAY BAR WELDMENT
13	86	4650G-BULK	NUT, 1/2" HEX, A563 GALV
14	92	4754G-BULK	WASHER, 1/2" RGLR LOCK, GALV
15	12	4375G-13	1/2" X 13" ALL THREAD
16	12	4750G-BULK	WASHER, 1/2" NARROW, GALV
17	14	4455G	BOLT, 1/2" X 2" LG HEX, A325 GLAV.
18	22	4454G-BULK	1/2" X 1-1/2" A325 GLAV. HEX BOLT
19	12	4499-2G	1/2" GALV U-BOLT FOR 2-7/8"OD
20	4	2126-96	2-7/8" OD X 96" GALV PIPE

THE INFORMATION CONTAINED IN THIS DRAWING IS THE SOLE PROPERTY OF ALT. ANY REPRODUCTION IN PART OR WHOLE WITHOUT THE WRITTEN PERMISSION OF ALT IS PROHIBITED.  11/5/2019	CAD GENERATED DRAWING, DO NOT MANUALLY UPDATE		800-950-7960 FAX 940-455-2817 www.altfabrication.com sales@altfabrication.com	122 Leesley Lane Argyle, Texas 76226
	APPROVALS DRAWN    SF    11/05/19		DATE 11/05/19	TITLE: <b>7' SECTOR FRAME S-SERIES</b>
	CHECKED ENGINEER		DWG. NO. <b>2116S-7-4-96</b>	REV. <b>A</b>
	FINISH: HDG    WEIGHT: 650.29		ISSUED	SCALE: NTS    DO NOT SCALE DRAWING    SHEET: 1 OF 3



THE INFORMATION CONTAINED IN THIS DRAWING IS THE SOLE PROPERTY OF ALT. ANY REPRODUCTION IN PART OR WHOLE WITHOUT THE WRITTEN PERMISSION OF ALT IS PROHIBITED.		 800-950-7960 FAX 940-455-2817 www.altfabrication.com sales@altfabrication.com	122 Leesley Lane Argyle, Texas 76226
TITLE: <b>7' SECTOR FRAME                  S-SERIES</b>			
11/5/2019		DWG. NO. <b>2116S-7-4-96</b>	REV. <b>A</b>
FINISH: HDG	WEIGHT: 650.29	SCALE: NTS	DO NOT SCALE DRAWING SHEET: 2 OF 3



THE INFORMATION CONTAINED  
IN THIS DRAWING IS THE SOLE  
PROPERTY OF ALT. ANY  
REPRODUCTION IN PART OR  
WHOLE WITHOUT THE WRITTEN  
PERMISSION OF ALT IS  
PROHIBITED.



800-950-7960  
FAX 940-455-2817  
www.altfabrication.com  
sales@altfabrication.com

122 Leesley Lane  
Argyle, Texas  
76226

TITLE:  
**7' SECTOR FRAME  
S-SERIES**

11/5/2019	DWG. NO. <b>2116S-7-4-96</b>	REV. <b>A</b>
FINISH: HDG	WEIGHT: 650.29	SCALE: NTS
DO NOT SCALE DRAWING	SHEET: 3 OF 3	