
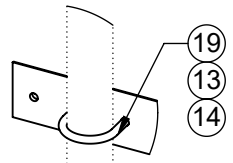


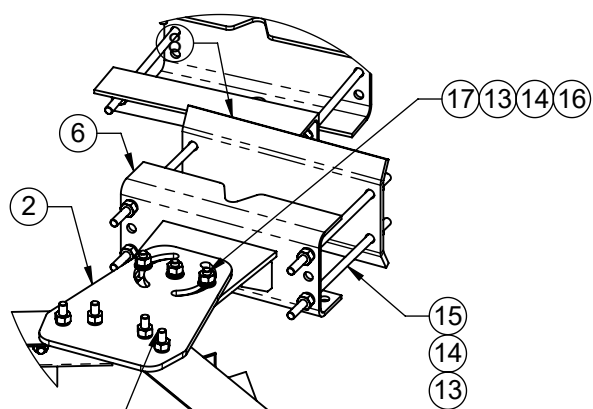
1. ALT FABRICATION MOUNT2116S-12 ISCLASSIFIED AS M350R(750)-4[6] BASED ON THE TIA-5053 MOUNTING SYSTEM CLASSIFICATION STANDARD.
- 2 ITEM 20, ANTENNA MOUNT PIPE, TO BE ORDERED SEPERATELY.  
**NOTE:** MUST HAVE A MIN. OF 4 PIPES FOR MOUNT TO MEET LOADING REQUIREMENTS.
3. FULL COMPLEMENT OF ANTENNA MOUNT PIPES SHOWN.
- 4 ITEM 16, FLAT WASHERS, TO BE INSTALLED AGAINST SLOTS ON ITEMS 2 AND 6.
- 5 INSTALL THE CENTER PIVOT BOLT/NUT/WASHER ASSEMBLY AT THE TOP AND BOTTOM TOWER LEG BRACKET WITH THE DESIRED TOWER TAPER THEN PARTIALLY TIGHTEN. ROTATE THE SECTOR FRAME TO DESIRED AZIMUTH POSITION. INSTALL OUTER (2) BOLT/NUT/WASHER THROUGH THE CURVED SLOTS IN ITEM 3 AT THE TOP AND BOTTOM.
- 6 TO ACHIEVE POSTED WIND RATING, FULLY TIGHTEN ALL (6) AZIMUTH PIVOT POINT BOLTS BY TURNING NUTS 1/3 PAST "SNUG TIGHT" CONDITION AS DEFINED BY AISC 9TH EDITION ASD AFTER FINAL AZIMUTH POSITIONING.
7. AZIMUTH ROTATION:  $\pm 60^\circ$  ON CENTER LINE OF TOWER LEG.
8. MAX TOWER LEG SIZE:  
ROUND LEG - 8" OD  
90° ANGLE LEG - 8" X 8"  
60° ANGLE LEG - 11" TIP TO TIP
9. ALLOWABLE VERTICAL CENTERLINE OFFSET, e =  $\pm 6$ in.

ITEM NO.	QTY.	PART NO.	DESCRIPTION
1	4	7000-2116R-2-2	VERTICAL, FAN TRUSS, L1-3/4" X 3/16"
2	2	7000-2116R-2-3	TAPER BRACKET
3	2	7000-2116R-2-5	DIAGONAL, FAN TRUSS, L1-3/4" X 3/16"
4	4	7000-2116S-4	CHORD, FAN TRUSS, L4" X 1/4"
5	2	7000-2116S-12	MAIN FACE CHORD, L4" X 1/4"
6	2	7000-2120-TB	WELDMENT, TOWER LEG BRACKET, UNIVERSAL
7	2	7000-2120-TB.1	TAPER BRACKET LEG ADAPTOR
8	2	7000-2120-AA.2	BACKPLATE, ANGLE LEG ADAPTER,
9	2	7000-2120-KD.2	SWAY BAR CLAMP ASSEMBLY
10	2	7000-2120-KD.3	CLAMP ANGLE 1/4" X 3" X 14"
11	2	7000-2120-KD.42	1.9"OD X 42" SWAY BAR WELDMENT
12	2	7000-2120-KD.84	1.9"OD X 84" SWAY BAR WELDMENT
13	86	4650G-BULK	NUT, 1/2" HEX, A563 GALV
14	92	4754G-BULK	WASHER, 1/2" RGLR LOCK, GALV
15	12	4375G-13	1/2" X 13" ALL THREAD
16	12	4750G-BULK	WASHER, 1/2" NARROW, GALV
17	14	4455G	BOLT, 1/2" X 2" LG HEX, A325 GLAV.
18	22	4454G-BULK	1/2" X 1-1/2" A325 GLAV. HEX BOLT
19	20	4499-2G	1/2" GALV U-BOLT FOR 2-7/8"OD
20	4	2126-96	2-7/8" OD X 96" GALV PIPE

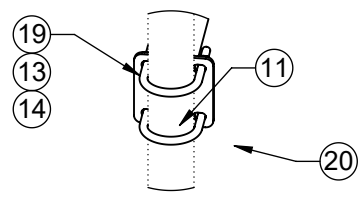
THE INFORMATION CONTAINED IN THIS DRAWING IS THE SOLE PROPERTY OF ALT. ANY REPRODUCTION IN PART OR WHOLE WITHOUT THE WRITTEN PERMISSION OF ALT IS PROHIBITED.  10/23/2019	CAD GENERATED DRAWING, DO NOT MANUALLY UPDATE		 800-950-7960 FAX 940-455-2817 www.altfabrication.com sales@altfabrication.com	122 Leesley Lane Argyle, Texas 76226	
	APPROVALS	DATE		TITLE: <b>12' SECTOR FRAME ROTATABLE</b>	
	DRAWN SF	10/03/19			
	CHECKED			DWG. NO. <b>2116S-12</b>	
	ENGINEER				
ISSUED		SCALE: NTS	DO NOT SCALE DRAWING	SHEET: 1 OF 3	



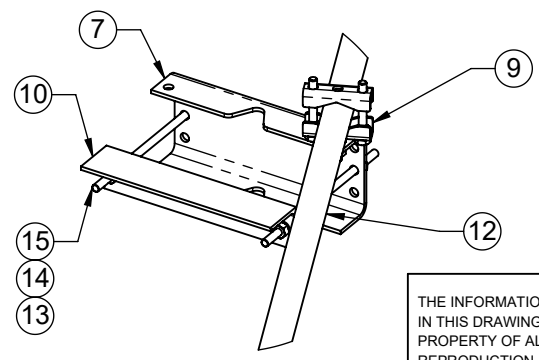
**DETAIL A**



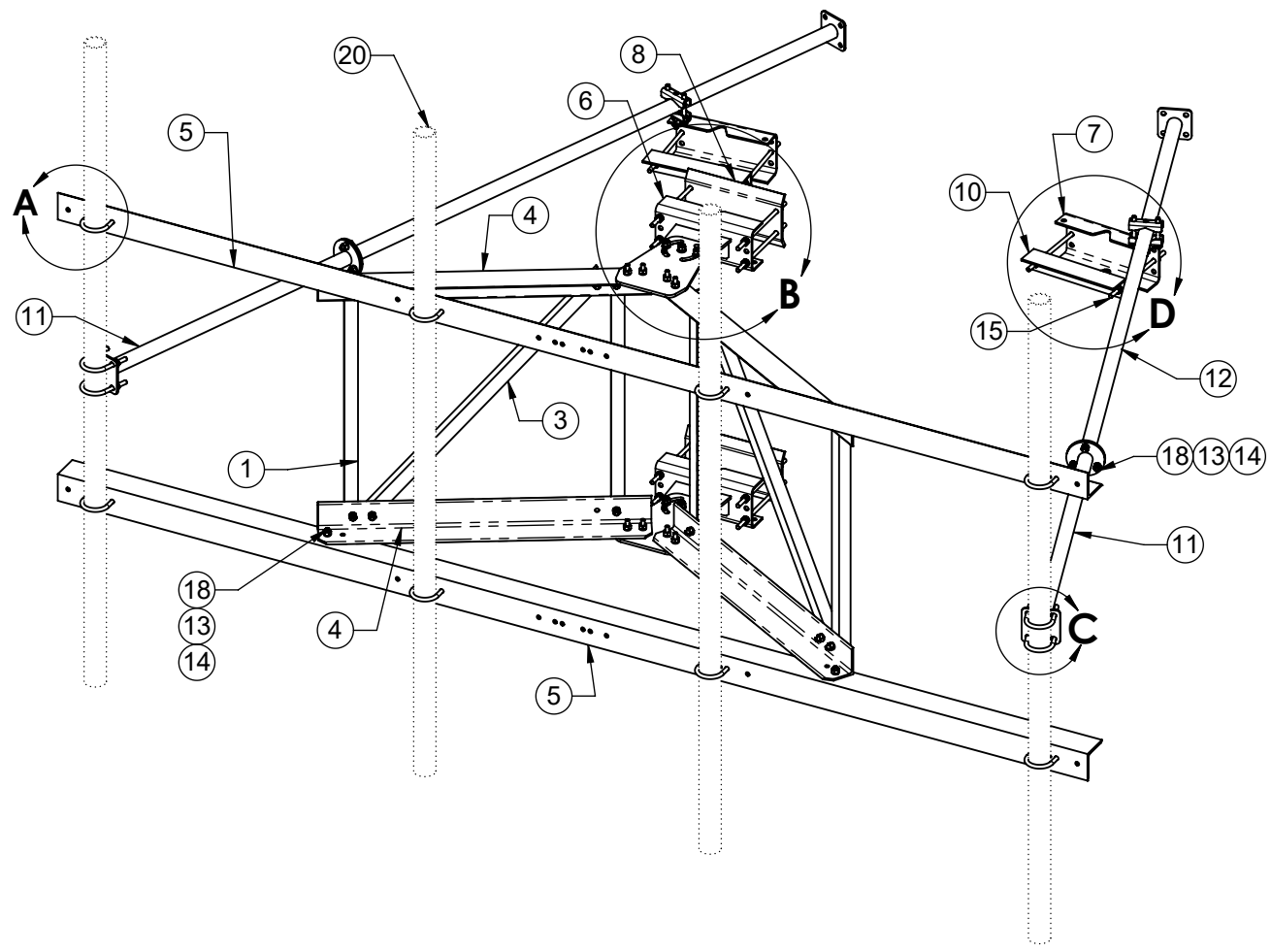
**DETAIL B**



**DETAIL C**



**DETAIL D**



THE INFORMATION CONTAINED IN THIS DRAWING IS THE SOLE PROPERTY OF ALT. ANY REPRODUCTION IN PART OR WHOLE WITHOUT THE WRITTEN PERMISSION OF ALT IS PROHIBITED.



800-950-7960  
 FAX 940-455-2817  
 www.altfabrication.com  
 sales@altfabrication.com

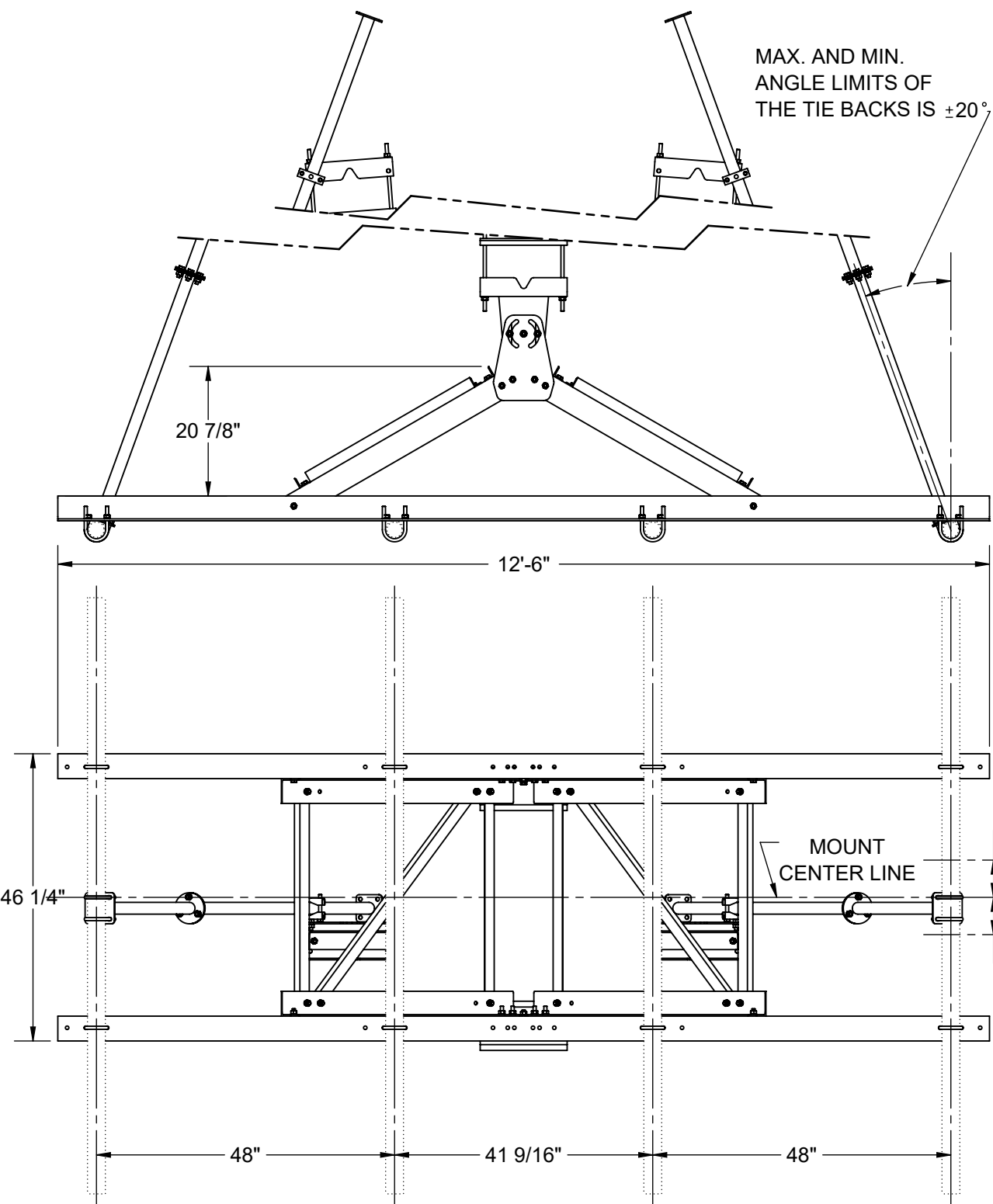
122 Leesley Lane  
 Argyle, Texas  
 76226

TITLE:  
**12' SECTOR FRAME  
 ROTATABLE**

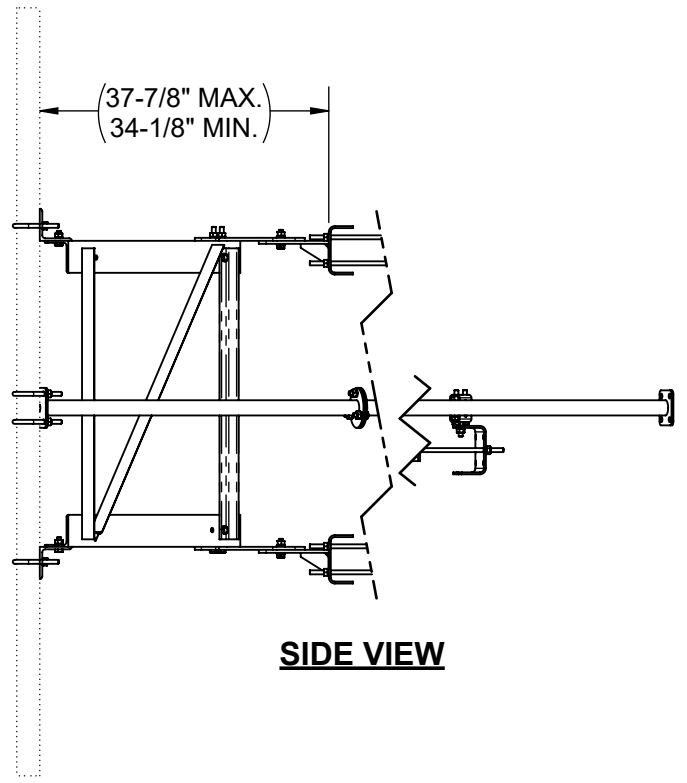
10/23/2019

DWG. NO.  
**2116S-12**

REV.  
**A**



MAX. AND MIN.  
ANGLE LIMITS OF  
THE TIE BACKS IS  $\pm 20^\circ$



**SIDE VIEW**

"e" DENOTES ALLOWABLE VERTICAL  
CENTER LINE OFFSET OF  
APPURTENANCE AND MOUNTING PIPE

THE INFORMATION CONTAINED  
IN THIS DRAWING IS THE SOLE  
PROPERTY OF ALT. ANY  
REPRODUCTION IN PART OR  
WHOLE WITHOUT THE WRITTEN  
PERMISSION OF ALT IS  
PROHIBITED.



800-950-7960  
FAX 940-455-2817  
www.altfabrication.com  
sales@altfabrication.com

122 Leesley Lane  
Argyle, Texas  
76226

TITLE:  
**12' SECTOR FRAME  
ROTATABLE**

10/23/2019	DWG. NO. <b>2116S-12</b>	REV. <b>A</b>
FINISH: HDG	WEIGHT: 550.75	SCALE: NTS
DO NOT SCALE DRAWING		SHEET: 3 OF 3