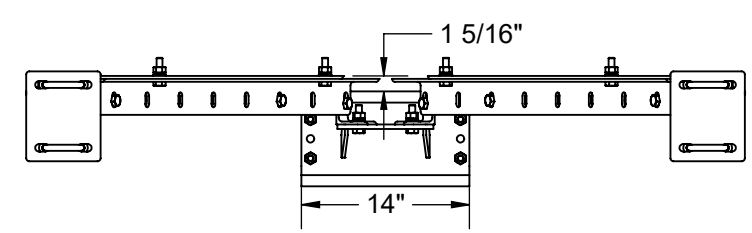


**DETAIL B
ASSEMBLY FOR VERTICAL PIPE**

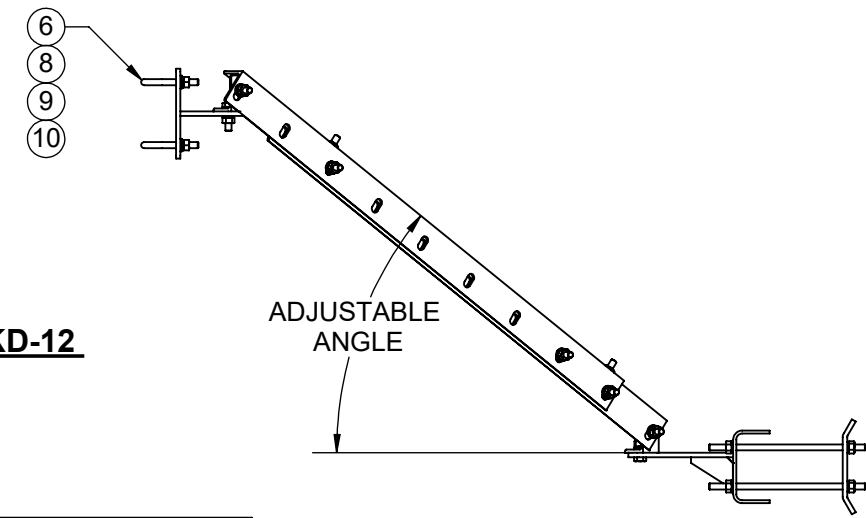
**DETAIL B
ASSEMBLY FOR HORIZONTAL PIPE**

PLATE ACCOMODATED 2-3/8" OD TO 3-1/2" OD PIPE

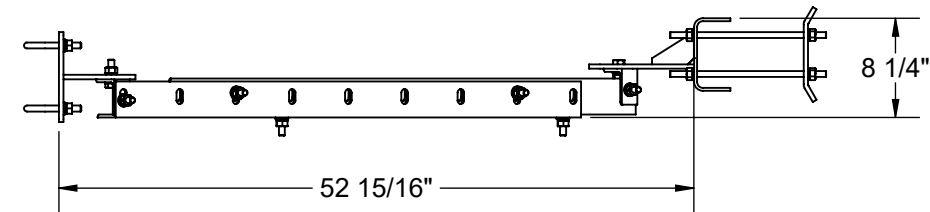
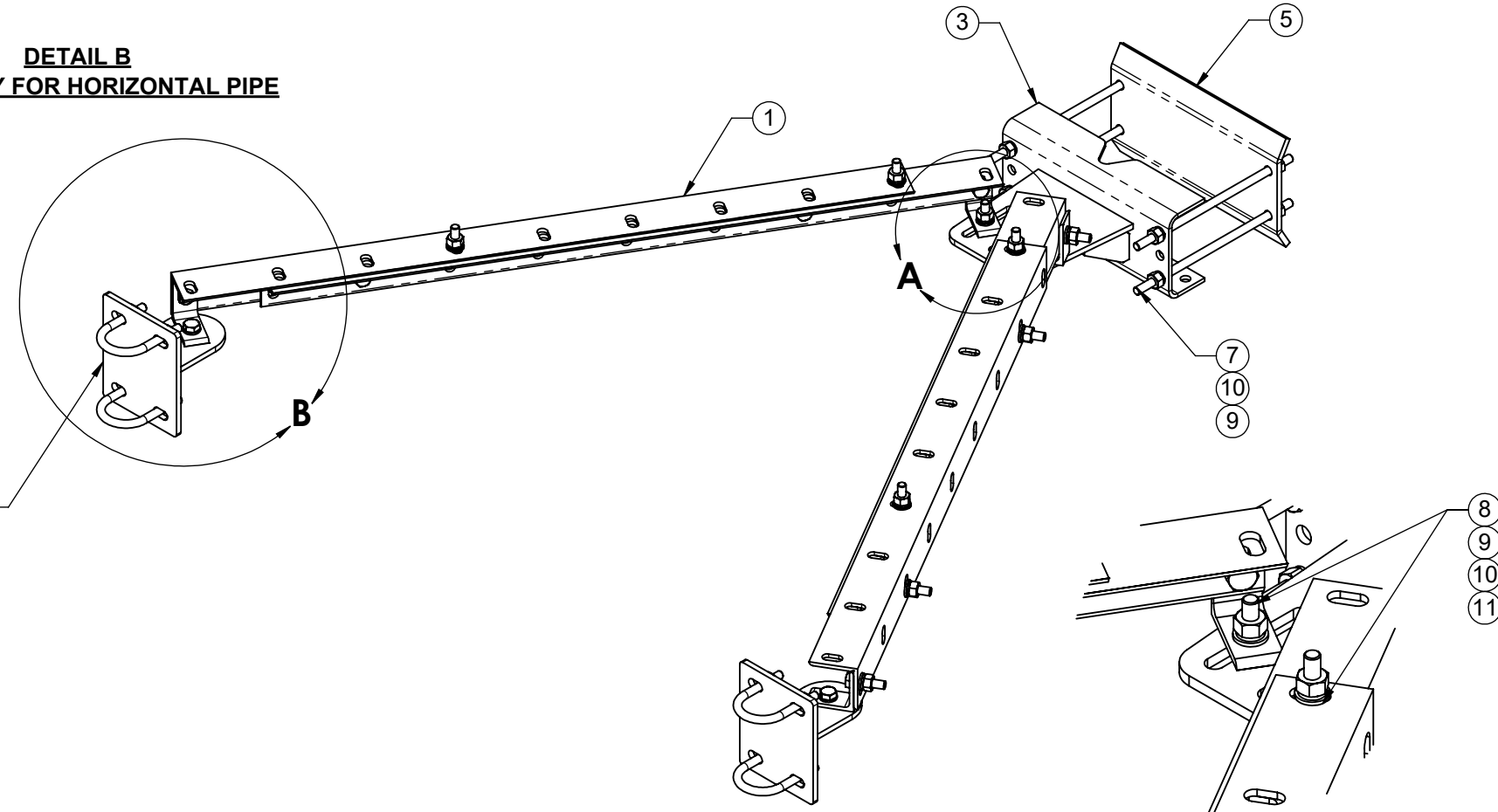


FRONT

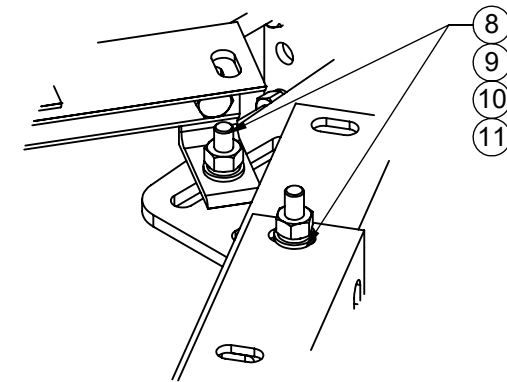
THIS SUPPORT KIT FITS ALT #2116R-7, 2116KD-10, 2116KD-12



SIDE VIEW ADJUSTABLE



SIDE VIEW PLANAR



DETAIL A

**NOTES:
1. ASSEMBLE AS SHOWN**

ITEM NO.	QTY.	PART NO.	DESCRIPTION
1	4	7000-2116-MSK-1	1/4" X 3" X 3" X 45" ANGLE
2	2	7000-2116-MSK-2	MOUNTING PLATE WELDMENT
3	1	7000-2120-TB	WELDMENT, TOWER LEG BRACKET, UNIVERSAL
4	4	7000-2116-MSK-3	1/4" X 3" X 3" CLIP ANGLE
5	1	7000-2120-AA.2	BACKPLATE, ANGLE LEG ADAPTER,
6	4	4499-4G	U-BOLT, 2 3/8" OD PIPE, GALV 1/2" DIA
7	4	4375G-13	ALL THREAD, 1/2" x 13" LG, GALV
8	24	4750G-BULK	WASHER, 1/2" NARROW, GALV
9	32	4650G-BULK	NUT, 1/2" HEX, GALV
10	32	4754G-BULK	1/2" GALV LOCK WASHER
11	16	4455G	GALV. BOLT, 1/2" X 2" LG HEX, A235
12	4	4499-2G	1/2" GALV U-BOLT FOR 2-7/8" OD (NOT SHOWN)
13	4	4499G	1/2" GALV U-BOLT FOR 3-1/2" OD (NOT SHOWN)

FINISH NONE		MATERIAL PROD# SEE B.O.M.			800-950-7960 FAX 940-455-2817 www.altfabrication.com sales@altfabrication.com	122 Leesley Lane Argyle, Texas 76226
DO NOT SCALE DRAWING		APPROVALS	DATE			
UNLESS OTHERWISE SPECIFIED DIMENSIONS ARE IN INCHES. TOLERANCES ARE: FRACTIONS DECIMALS ANGLES ± 1/32 .XX ± .XX ± 1° .XXX ± .XXX		DRAWN	AV	11/06/20	TITLE: SECTOR FRAME SUPPORT KIT	
		CHECKED				
		ENGR.				
THE INFORMATION CONTAINED IN THIS DRAWING IS THE SOLE PROPERTY OF allG. ANY REPRODUCTION IN PART OR WHOLE WITHOUT THE WRITTEN PERMISSION OF allG IS PROHIBITED.		ISSUED			SIZE B DWG. NO. 2116-MSK-NEW REV. A	
		MANUFACT.			SCALE: NTS WEIGHT 126.23 SHEET 1 OF 1	