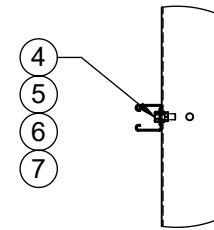
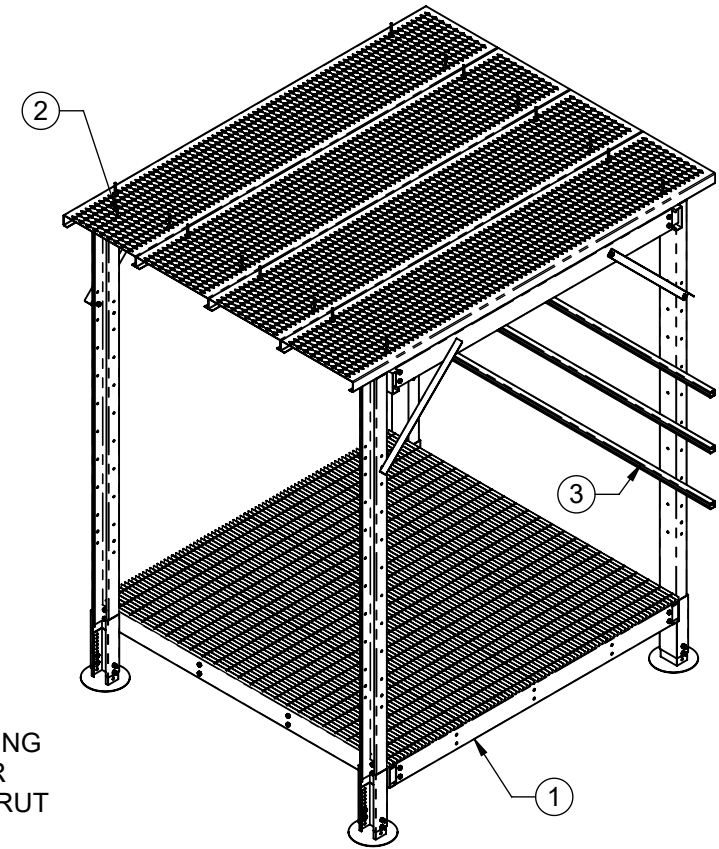


8" SPACING FOR UNISTRUT



**DETAIL A**

ITEM NO.	QTY.	PART NO.	DESCRIPTION
1	1	2110J-88-LW	8' X 8' LIGHT WEIGHT PLATFORM
2	1	2110JC-88-LW	ICE CANOPY
3	3	2176	10' GALV. CHANNEL STRUT, SLOTTED
4	6	4423G-BULK	BOLT, 3/8"X1"LG HEX, GALV
5	6	4720G-BULK	WASHER, 3/8" NARROW, GALV
6	6	4724G-BULK	3/8" LOCK WASHER, GALV
7	6	4620G-BULK	NUT, 3/8" HEX, GALV

**DO NOT SCALE DRAWING**  
 UNLESS OTHERWISE SPECIFIED DIMENSIONS ARE IN INCHES.  
 TOLERANCES ARE:  
 FRACTIONS DECIMALS ANGLES  
 ± 1/32 .XX ± .XX ± 1°  
 .XXX ± .XXX 9/20/2018

**MATERIAL PROD# SEE B.O.M.**  
**FINISH HDG**

APPROVALS		DATE
DRAWN	SF	09/20/18
CHECKED	BTM	09/20/18
ENGR.		
ISSUED		
MANUFACT.		



800-950-7960  
 FAX 940-455-2817  
 www.altfabrication.com  
 sales@altfabrication.com

122 Leesley Lane  
 Argyle, Texas  
 76226

<b>TITLE:</b> PLATFORM WITH ICE CANOPY		
<b>SIZE</b> A	<b>DWG. NO.</b> 2110JWIC-88-LWU	<b>REV.</b> A
<b>SCALE:</b> NTS	<b>WEIGHT</b> 1279.22	<b>SHEET</b> 1 OF 1

**THE INFORMATION CONTAINED IN THIS DRAWING IS THE SOLE PROPERTY OF ALT. ANY REPRODUCTION IN PART OR WHOLE WITHOUT THE WRITTEN PERMISSION OF ALT IS PROHIBITED.**