
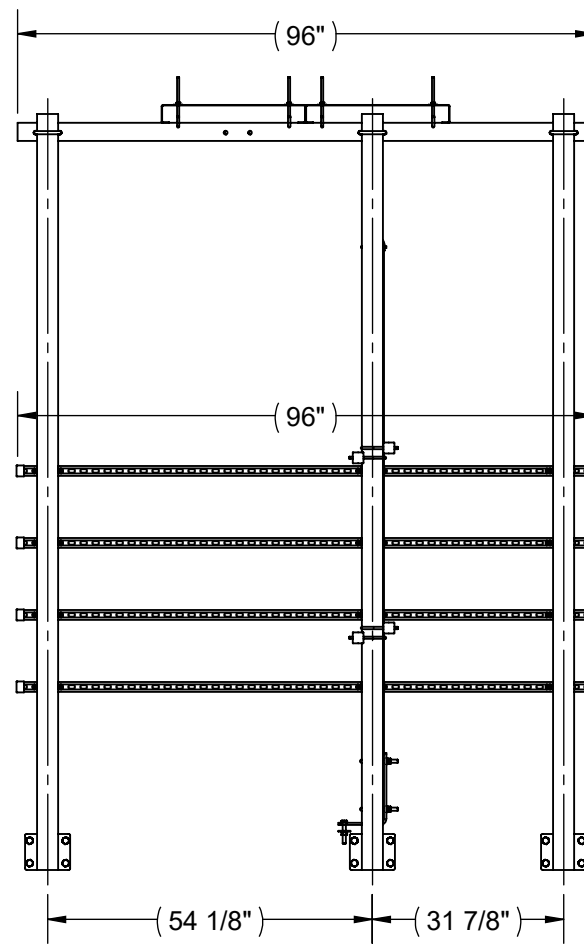
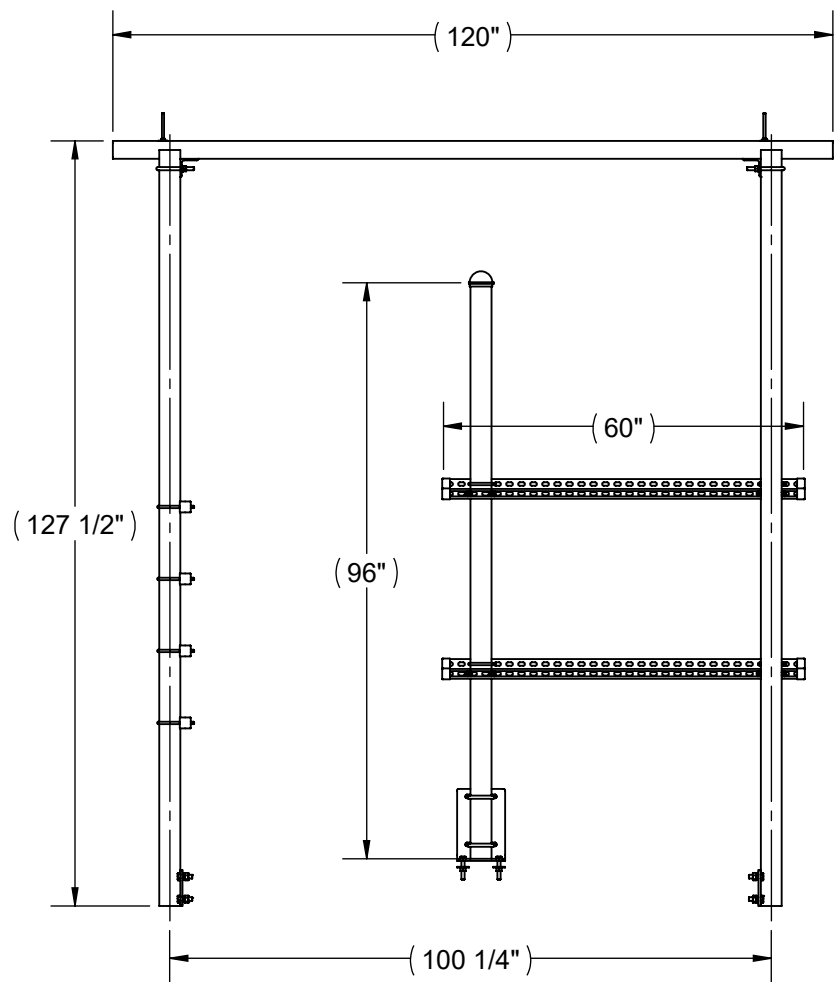



1. CANOPY FITS PART# 2110J-88
8' X 8' JACK PLATFORM

ITEM NO.	QTY.	PART NO.	DESCRIPTION
1	6	7000-2110JC-1	CANOPY LEG
2	2	7000-2110JC-88-1	CANOPY SUPPORT ANGLE
3	2	2160-24-31012HDG-KIT	24" WIDE GRIP STRUT KIT
4	1	2127-96	3-1/2" (4" OD).188" WALL GALV. PIPE
5	1	5202-3	POST CAP, 3-1/2" OD PIPE
6	4	2176-5	5' GALV. CHANNEL STRUT, SLOTTED
7	4	2176-8	8' GALV. CHANNEL STRUT, SLOTTED
8	8	4499G	U-BOLT, 3 1/2" OD PIPE, 1/2" DIA.
9	4	4458G	BOLT,1/2"-13UNC X 3 1/2" GALV HEX
10	20	4650G-BULK	NUT, 1/2" HEX, GALV
11	4	4751G-BULK	WASHER, FENDER, 1/2" GALV.
12	20	4754G-BULK	1/2" GALV LOCK WASHER
13	16	4750G-BULK	WASHER, 1/2" NARROW, GALV
14	24	4467G-2	BOLT, 5/8" X 2" LG HEX, A325 GALV
15	24	4660G-BULK	5/8" GALV HEX NUT
16	24	4764G-BULK	5/8" GALV LOCK WASHER
17	20	4477-2G	U-BOLT, 3 1/2" OD PIPE, 3/8" DIA.
18	40	4620G-BULK	NUT, 3/8" HEX, GALV
19	40	4724G-BULK	3/8" LOCK WASHER, GALV
20	40	4720G-BULK	WASHER, 3/8" NARROW, GALV
21	16	2170-EC	PLASTIC END CAP, 1-5/8" CHANNEL STRUT
22	1	7000-2164FT-38	ADD ON ICE BRIDGE FOOT

THE INFORMATION CONTAINED IN THIS DRAWING IS THE SOLE PROPERTY OF ALT. ANY REPRODUCTION IN PART OR WHOLE WITHOUT THE WRITTEN PERMISSION OF ALT IS PROHIBITED.		CAD GENERATED DRAWING, DO NOT MANUALLY UPDATE		 800-950-7960 FAX 940-455-2817 www.altfabrication.com sales@altfabrication.com		122 Leesley Lane Argyle, Texas 76226	
APPROVALS		DATE		TITLE:			
DRAWN SF		09/22/16		CANOPY KIT FOR 8' X 8' PLATFORM			
CHECKED BTM		09/22/16		DWG. NO.			
ENGINEER				2110JC-88			
ISSUED				REV. A			
FINISH: HDG		WEIGHT: 944.7		SCALE: NTS		DO NOT SCALE DRAWING SHEET: 1 OF 2	
10/23/2020							



<p>THE INFORMATION CONTAINED IN THIS DRAWING IS THE SOLE PROPERTY OF ALT. ANY REPRODUCTION IN PART OR WHOLE WITHOUT THE WRITTEN PERMISSION OF ALT IS PROHIBITED.</p> <p>10/23/2020</p>	<p>CAD GENERATED DRAWING, DO NOT MANUALLY UPDATE</p>		 <p>800-950-7960 FAX 940-455-2817 www.altfabrication.com sales@altfabrication.com</p>	<p>122 Leesley Lane Argyle, Texas 76226</p>	
	APPROVALS	DATE			TITLE:
	DRAWN	SF	09/22/16	CANOPY KIT FOR 8' X 8' PLATFORM	
	CHECKED	BTM	09/22/16		
	ENGINEER			DWG. NO.	REV.
FINISH: HDG	WEIGHT: 944.7	ISSUED	2110JC-88	A	
			SCALE: NTS	DO NOT SCALE DRAWING SHEET: 2 OF 2	