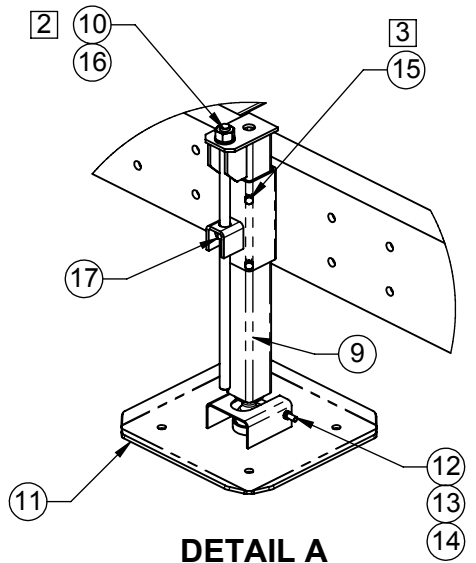
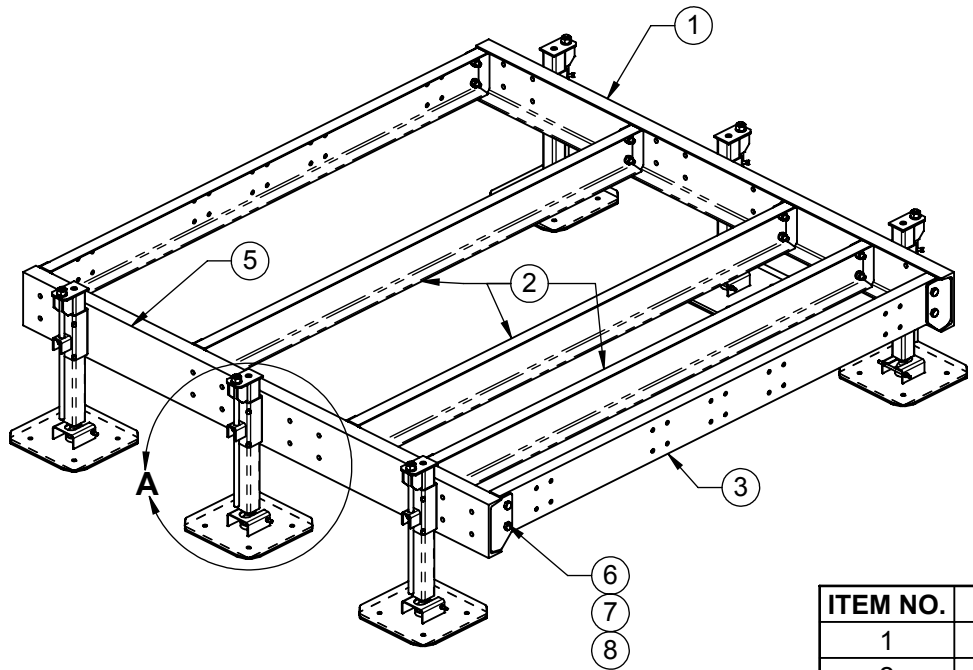


1. GRATING AND GRATING CLIPS OMITTED FOR CLARITY
2. LEG LENGTHS ARE ADJUSTED BY TURNING ITEM 6 NUT AFTER ITEM 16 NUT IS INSTALLED
3. INSTALL AND TIGHTEN ITEM 14 SET SCREWS AFTER FINAL LEG ADJUSTMENTS HAVE BEEN MADE.



DETAIL A

ITEM NO.	QTY.	PART NO.	DESCRIPTION
1	1	7000-2110J-88HD-1	WELDMENT, SIDE CHANNEL
2	3	7000-2110J-88HD-2	MID CHANNEL
3	2	7000-2110J-88HD-3	END CHANNEL
4	4	7000-2110J-88-4	1" X 1/8" PLATFORM GRATING 24" X 94-1/2"
5	1	7000-2110J-88HD-5	WELDMENT, SIDE CHANNEL
6	20	4467G	BOLT, 5/8" X 2" LG HEX, A325 GALV
7	20	4660G	5/8" GALV HEX NUT
8	20	4764G	5/8" GALV LOCK WASHER
9	6	7000-2110J-1	INNER JACK SLEEVE WELDMENT
10	6	7000-2110J-2	3/4" ALL-THREAD/NUT WELDMENT
11	6	7000-2110J-JP	JACKPAD WELDMENT (15.5" SQ)
12	6	4310G-612	3/8" DIA X 6-1/2" LG GALV ALL-THREAD
13	12	4620G-BULK	NUT, 3/8" HEX, GALV
14	6	4724G-BULK	3/8" LOCK WASHER, GALV
15	12	4423G	BOLT, 3/8"X1"LG HEX, GALV
16	6	4770G	WASHER, 3/4" NARROW, GALV
17	6	4670G	NUT, 3/4" HEX, A563 GALV
18	32	2199	GRATING CLIP (NOT SHOWN)

THE INFORMATION CONTAINED IN THIS DRAWING IS THE SOLE PROPERTY OF ALT. ANY REPRODUCTION IN PART OR WHOLE WITHOUT THE WRITTEN PERMISSION OF ALT IS PROHIBITED.

9/26/2016
FINISH: HDG WEIGHT: 1291

CAD GENERATED DRAWING, DO NOT MANUALLY UPDATE

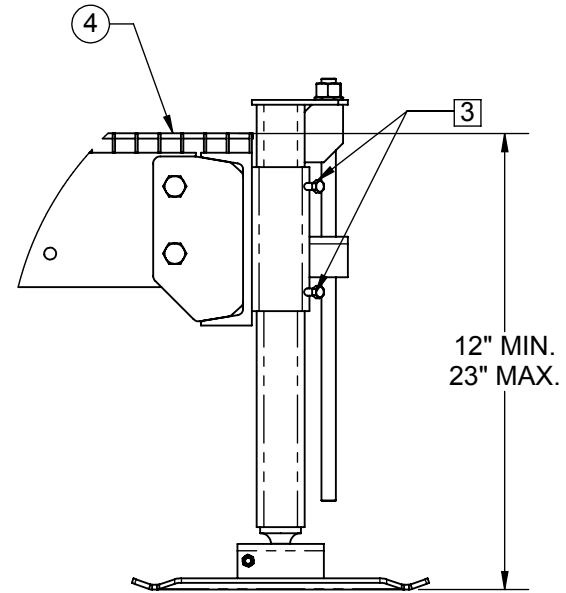
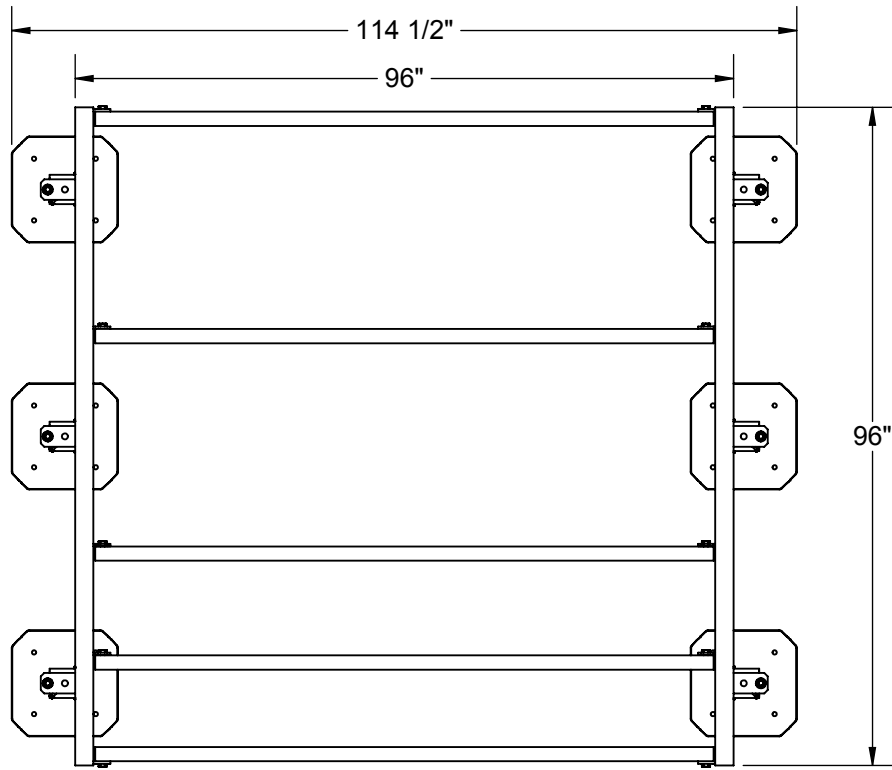
APPROVALS	DATE
DRAWN SF	09/26/16
CHECKED BTM	09/26/16
ENGINEER	
ISSUED	



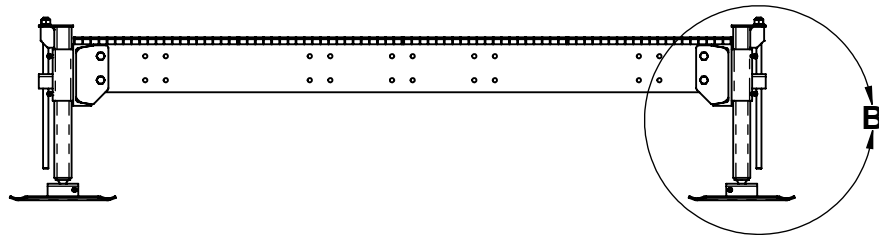
800-950-7960
FAX 940-455-2817
www.altfabrication.com
sales@altfabrication.com


122 Leesley Lane
Argyle, Texas
76226

TITLE:	8' X 8' HD PLATFORM
DWG. NO.	2110J-88HD
SCALE: NTS	DO NOT SCALE DRAWING
SHEET: 1 OF 2	REV. A



DETAIL B



<p>THE INFORMATION CONTAINED IN THIS DRAWING IS THE SOLE PROPERTY OF ALT. ANY REPRODUCTION IN PART OR WHOLE WITHOUT THE WRITTEN PERMISSION OF ALT IS PROHIBITED.</p> <p>9/26/2016</p>	CAD GENERATED DRAWING, DO NOT MANUALLY UPDATE		 <p>800-950-7960 FAX 940-455-2817 www.altfabrication.com sales@altfabrication.com</p>	<p>122 Leesley Lane Argyle, Texas 76226</p>	
	APPROVALS	DATE			TITLE:
	DRAWN	SF	09/26/16	8' X 8' HD PLATFORM	
	CHECKED	BTM	09/26/16	DWG. NO.	
	ENGINEER			2110J-88HD	
ISSUED			SCALE: NTS	DO NOT SCALE DRAWING	REV. A
FINISH: HDG		WEIGHT: 1291		SHEET: 2 OF 2	