
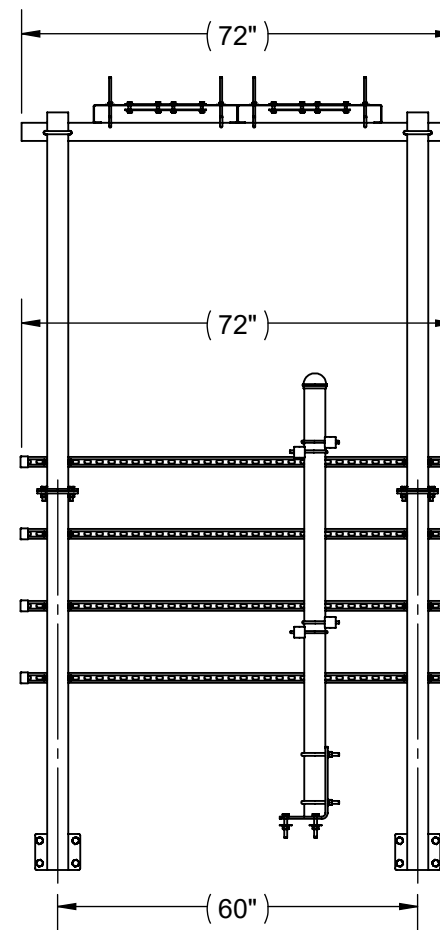
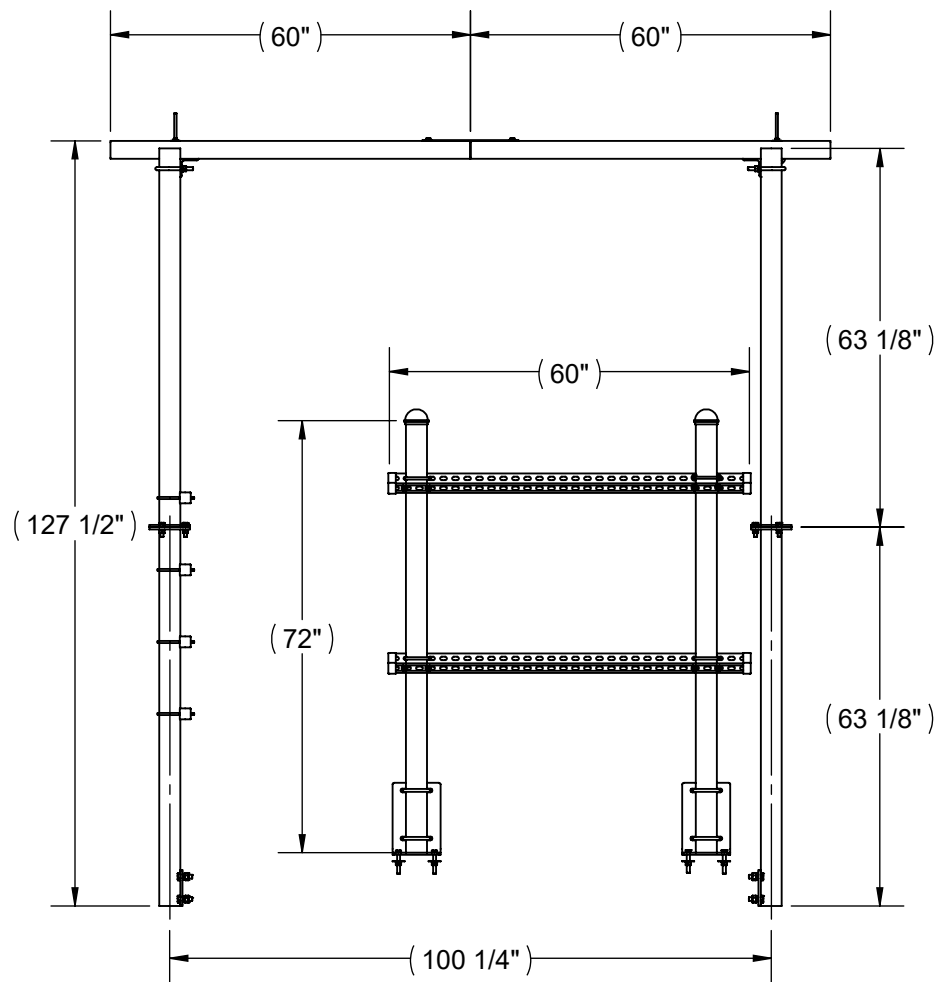



ITEM NO.	QTY.	PART NO.	DESCRIPTION	MATERIAL
1	4	7000-2110JC-68-1	CANOPY LEG BASE	3-1/2OD SCH40 PIPE W/ 3/8" MOUNT PLATES
2	4	7000-2110JC-68-2	CANOPY LEG TOP	3-1/2OD SCH40 PIPE W/ 3/8" MOUNT PLATE
3	2	7000-2110JC-68-3	CANOPY SUPPORT ANGLE	1/4" X 3" STEEL ANGLE
4	2	7000-2164FT-38	ADD ON ICE BRIDGE FOOT	3/8" STEEL PLATE
5	2	2127-72	3-1/2"OD .188" WALL GALV. PIPE	3-1/2"OD X 14' GALV PIPE
6	2	5202-3	POST CAP, 3-1/2" OD PIPE	
7	4	2176-5	5' GALV. CHANNEL STRUT, SLOTTED	
8	4	2176-6	6' GALV. CHANNEL STRUT, SLOTTED	
9	8	4458G	BOLT, 1/2"-13UNC X 3 1/2" GALV HEX	
10	8	4499G	U-BOLT, 3 1/2" OD PIPE, 1/2" DIA.	
11	36	4650G-BULK	NUT, 1/2" HEX, GALV	
12	8	4751G-BULK	WASHER, FENDER, 1/2" GALV.	
13	36	4754G-BULK	1/2" GALV LOCK WASHER	
14	16	4750G-BULK	WASHER, 1/2" NARROW, GALV	
15	12	4455G	GALV. BOLT, 1/2" X 2" LG HEX, A235	
16	16	4467G-2	BOLT, 5/8" X 2" LG HEX, A325 GALV	
17	16	4660G-BULK	5/8" GALV HEX NUT	
18	16	4764G-BULK	5/8" GALV LOCK WASHER	
19	2	2160-24-31012HDG-KIT	24" WIDE GRIP STRUT KIT W/SPLICE	
20	16	4477-2G	U-BOLT, 3 1/2" OD PIPE, 3/8" DIA.	
21	32	4620G-BULK	NUT, 3/8" HEX, GALV	
22	32	4724G-BULK	3/8" LOCK WASHER, GALV	
23	32	4720G-BULK	WASHER, 3/8" NARROW, GALV	
24	16	2170-EC	PLASTIC END CAP, 1-5/8" CHANNEL STRUT	

FINISH HDG	MATERIAL PROD# SEE B.O.M.		 800-950-7960 FAX 940-455-2817 www.altfabrication.com sales@altfabrication.com	122 Leesley Lane Argyle, Texas 76226
DO NOT SCALE DRAWING	APPROVALS	DATE		TITLE:
UNLESS OTHERWISE SPECIFIED DIMENSIONS ARE IN INCHES. TOLERANCES ARE:	DRAWN SF	11/29/16	CANOPY KIT FOR 6' X 8' PLATFORM	
FRACTIONS DECIMALS ANGLES ± 1/32 .XX ± .XX ± 1°	CHECKED DMR	11/30/16	SIZE B	DWG. NO. 2110JC-68
10/23/2020	ENGR.		SCALE: NTS	WEIGHT 846.6
THE INFORMATION CONTAINED IN THIS DRAWING IS THE SOLE PROPERTY OF ALT. ANY REPRODUCTION IN PART OR WHOLE WITHOUT THE WRITTEN PERMISSION OF ALT IS PROHIBITED.	ISSUED		SHEET 1 OF 2	REV. A
	MANUFACT.			



<p>THE INFORMATION CONTAINED IN THIS DRAWING IS THE SOLE PROPERTY OF ALT. ANY REPRODUCTION IN PART OR WHOLE WITHOUT THE WRITTEN PERMISSION OF ALT IS PROHIBITED.</p> <p>10/23/2020</p> <p>FINISH: HDG    WEIGHT: 846.6</p>	<p>CAD GENERATED DRAWING, DO NOT MANUALLY UPDATE</p>		 <p>800-950-7960 FAX 940-455-2817 www.altfabrication.com sales@altfabrication.com</p>	<p>122 Leesley Lane Argyle, Texas 76226</p>	
	APPROVALS	DATE			TITLE:
	DRAWN	SF	11/29/16	CANOPY KIT FOR 6' X 8' PLATFORM	
	CHECKED	DMR	11/30/16		
	ENGINEER			DWG. NO.	REV.
ISSUED			2110JC-68	A	
			SCALE: NTS	DO NOT SCALE DRAWING	SHEET: 2 OF 2