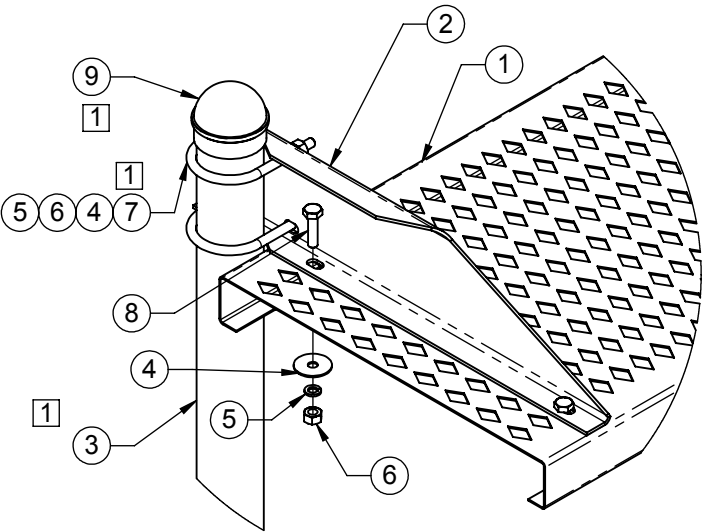


- 1 SEE PACKING SLIP FOR ASSY SERIES, PIPE, CAP AND U-BOLT SIZES.
- 2. TRAPEZE DETAILS OMITTED FOR CLARITY. SEE TRAPEZE INSTALLATION DRAWING FOR MOUNTING INFORMATION.

CAP AND U-BOLT SIZE			
ITEM 3	ITEM NO.	PART NO.	DESCRIPTION
3" (3-1/2" OD) PIPE	7	4499G	U-BOLT, 3" (3.5" OD) PIPE, GALV (1/2" DIA)
	9	5202-3	GALV POST CAP, 3-1/2" OD PIPE
3-1/2" (4" OD) PIPE	7	4499-3G	U-BOLT, 3-1/2" (4" OD) PIPE, GALV (1/2" DIA)
	9	5202-3.5	GALV POST CAP, 4" OD PIPE

ITEM NO.	QTY.		PART NO.	DESCRIPTION
	2164NT-X	2162C-X		
1	1	NA	2164-24-301012HGD	GRIP STRUT, 24" WIDE X 3" DEEP X 10' LONG
2	2	1	7000-2164C	BRACKET, ICE BRIDGE
3	2	NA	SEE TABLE 1	PIPE, 3" (3-1/2" OD) OR 3-1/2" (4" OD) SCHED 40
4	12	6	4751G	WASHER, 1/2" FENDER, GALV
5	12	6	4754G	WASHER, 1/2" RGLR LOCK, GALV
6	12	6	4650G	NUT, 1/2" HEX, A563 GALV
7	4	2	SEE TABLE 1	U-BOLT, PIPE, GALV (1/2" DIA)
8	4	2	4455G	BOLT, 1/2" X 2" LG HEX, A325 GALV
9	2	1	SEE TABLE 1	GALV POST CAP



DETAIL A

THE INFORMATION CONTAINED IN THIS DRAWING IS THE SOLE PROPERTY OF ALT. ANY REPRODUCTION IN PART OR WHOLE WITHOUT THE WRITTEN PERMISSION OF ALT IS PROHIBITED. 7/15/2014	CAD GENERATED DRAWING, DO NOT MANUALLY UPDATE		800-950-7960 FAX 940-455-2817 www.altfabrication.com sales@altfabrication.com	122 Leesley Lane Argyle, Texas 76226	
	APPROVALS	DATE			TITLE:
	DRAWN	CDM	09/21/04		
	CHECKED	JMD	11/16/04		
	ENGINEER	JMD	11/16/04	DWG. NO. 2162C_2164NT	
ISSUED	JMD	11/17/04	REV. B		
FINISH:	WEIGHT:	SCALE: NTS		DO NOT SCALE DRAWING SHEET: 1 OF 1	