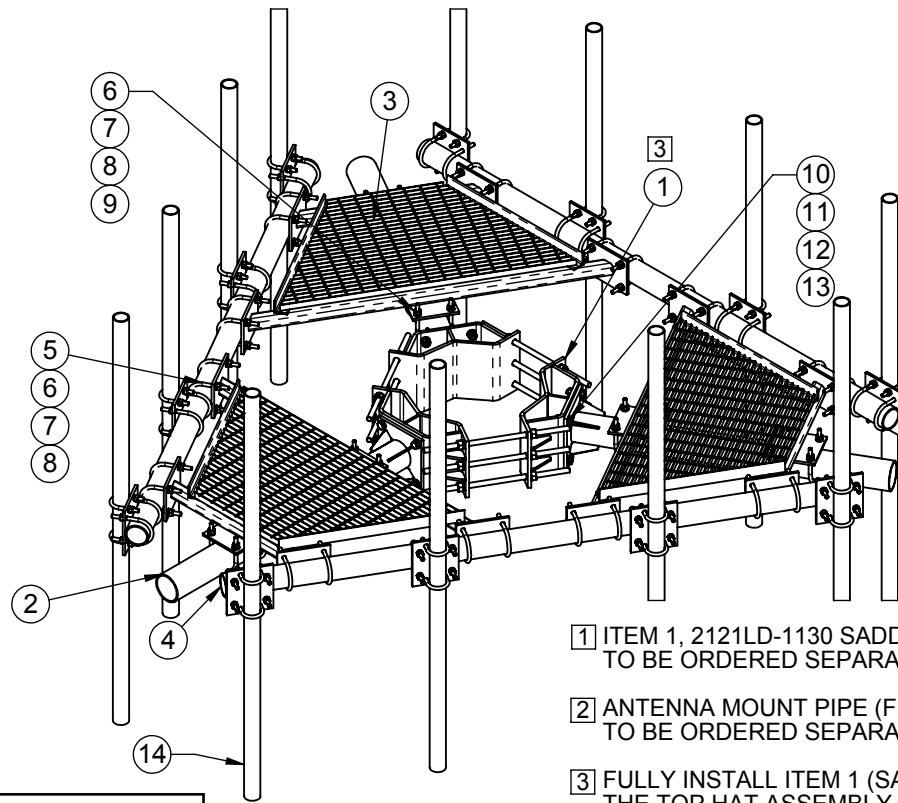
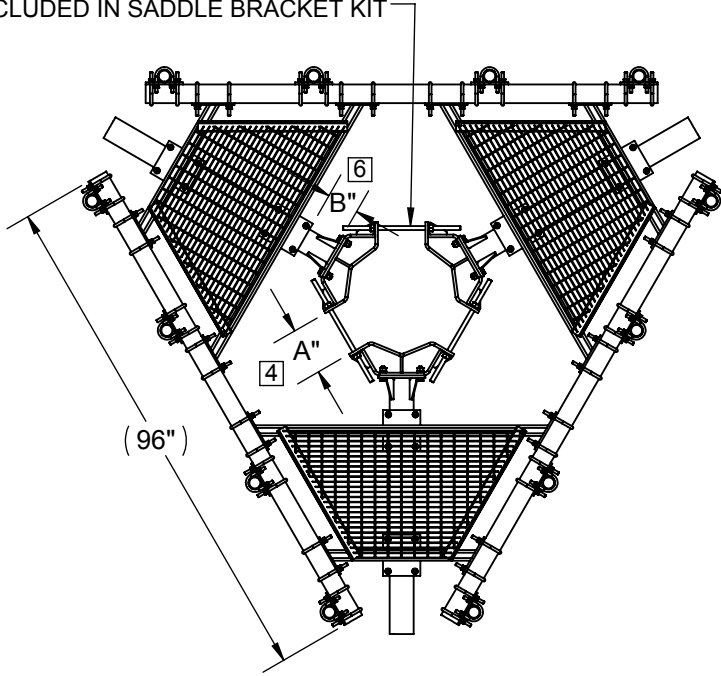


ALL-THREADS WITH FASTENERS
INCLUDED IN SADDLE BRACKET KIT



- 1 ITEM 1, 2121LD-1130 SADDLE BRACKET ASSEMBLY, TO BE ORDERED SEPARATLY.
- 2 ANTENNA MOUNT PIPE (FULL COMPLEMENT SHOWN) TO BE ORDERED SEPARATLY.
- 3 FULLY INSTALL ITEM 1 (SADDLE BRACKET) OR THE TOP HAT ASSEMBLY, PRIOR TO MOUNTING THE PLATFORM TO ACHIEVE PROPER FIT.
- 4 DIMENSION "A" MUST BE EQUAL FOR ALL 3 SADDLE BRACKETS, AFTER FULLY TIGHTENING ALL-THREADS.
5. GENERAL INSTALLATION GUIDELINES:
CONSTRUCT THE PLATFORM ASSEMBLY, STARTING AT THE MONOPOLE AND WORKING OUTWARD. WITH THE EXCEPTION OF THE SADDLE BRACKET OR TOP HAT ASSEMBLY, KEEP ALL FASTENERS ON THE PLATFORM ASSEMBLY LOOSE UNTIL FULLY ASSEMBLED.
6. DIM "B" MUST BE EQUAL AT ALL THREE ARM LOCATIONS BETWEEN THE SADDLE BRACKET (OR TOP HAT) ASSEMBLY AND ARM WELDMENT.

ITEM NO.	QTY.	PART NO.	DESCRIPTION
1	1	2121LD-1130	RING MOUNT KIT
2	3	7000-2123LD-8-1	PLATFORM SUPPORT ARM
3	3	7000-2123LD-8-2	FLOOR WELDMENT 8' PLATFORM
4	3	7000-2123LD-8-3	3-1/2" (4" OD) .188" WALL GALV. PIPE
5	24	4499G	U-BOLT, 3 1/2" OD PIPE, 1/2" DIA.
6	72	4650G-BULK	NUT, 1/2" HEX, A563 GALV
7	72	4754G-BULK	WASHER, 1/2" RGLR LOCK, GALV
8	72	4750G-BULK	WASHER, 1/2" NARROW, GALV
9	12	4499-5G	U-BOLT, 4" (4.50" OD) PIPE, GALV (1/2" DIA)
10	12	4467-1G	BOLT, 5/8" X 2-1/4" LG HEX, A325
11	12	4660G-KIT	5/8" GALV HEX NUT
12	12	4764G-KIT	5/8" GALV LOCK WASHER
13	24	4760G-KIT	5/8" FLAT WASHER GALV, NARROW
14	12	2123LD-X-MTKIT	ANTENNA MOUNT PIPE KIT(SOLD SEPARATELY)



800-950-7960
FAX 940-455-2817
www.altfabrication.com
sales@altfabrication.com

122 Leesley Lane
Argyle, Texas
76226

<p>DO NOT SCALE DRAWING</p> <p>UNLESS OTHERWISE SPECIFIED DIMENSIONS ARE IN INCHES. TOLERANCES ARE:</p> <p>FRACTIONS DECIMALS ANGLES ± 1/32 .XX ± .XX ± 1° .XXX ± .XXX 10/18/2016</p>	<p>MATERIAL PROD#</p> <p>FINISH HDG</p>	APPROVALS	DATE	<p>TITLE:</p> <p style="text-align: center;">8' MONOPOLE PLATFORM</p>						
		DRAWN	SF			10/17/16				
		CHECKED								
		ENGR.								
		ISSUED								
<p>THE INFORMATION CONTAINED IN THIS DRAWING IS THE SOLE PROPERTY OF ALT. ANY REPRODUCTION IN PART OR WHOLE WITHOUT THE WRITTEN PERMISSION OF ALT IS PROHIBITED.</p>		MANUFACT.		<table border="1" style="width: 100%;"> <tr> <td style="width: 15%;">SIZE</td> <td style="width: 55%;">DWG. NO.</td> <td style="width: 30%;">REV.</td> </tr> <tr> <td>A</td> <td>2123LD-8</td> <td>A</td> </tr> </table>	SIZE	DWG. NO.	REV.	A	2123LD-8	A
		SIZE	DWG. NO.	REV.						
A	2123LD-8	A								
SCALE: NTS	WEIGHT 945.5	SHEET 1 OF 1								