
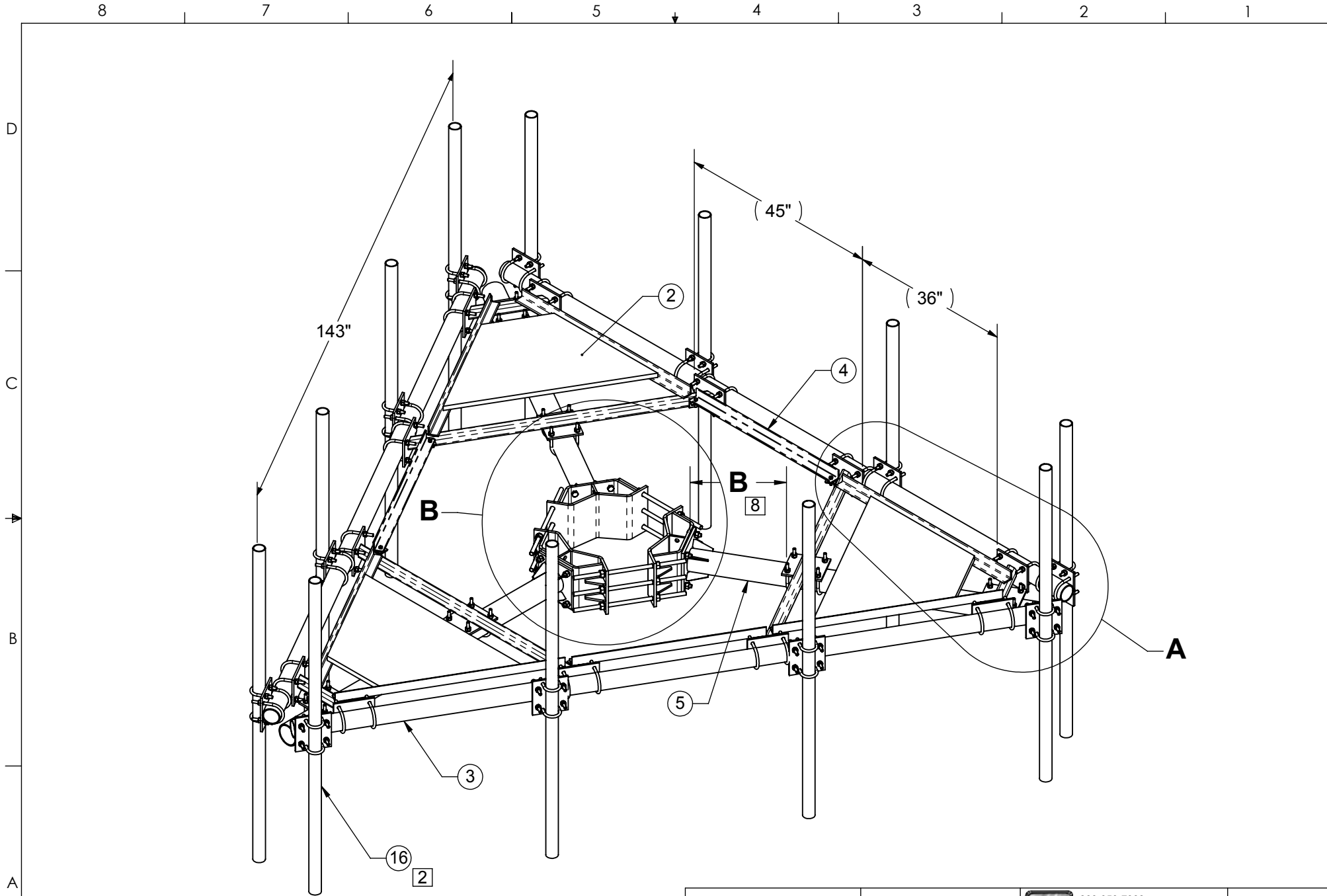


ITEM NO.	QTY	PART NO.	DESCRIPTION
1	1	2121LD-XXXX [1]	SADDLE BRACKET ASSEMBLY, LIGHT DUTY
2	3	7000-2123LD-WF	WELDMENT, FLOOR, PLATFORM
3	3	7000-2123LD-150	PIPE, (3-1/2" OD X 150" A53 GRB), GALV
4	3	7000-2123LD-4.1	ANGLE, FLOOR SUPPORT, (L2" X 2" X 1/4" X 38" LG)
5	3	7000-2123LD-1	WELDMENT, PLATFORM SUPPORT
6	12	4499-5G	1/2" U-BOLT, 4" (4-1/2" OD) PIPE, GALV
7	72	4650G	NUT, 1/2" HEX, A563 GALV
8	72	4754G	WASHER, 1/2" RGLR LOCK, GALV
9	6	4424G	BOLT, 3/8" X 1-1/2" LG HEX, GALV
10	6	4621G	NUT, 3/8" HEX, GALV
11	6	4724G	WASHER, 3/8" RGLR LOCK, GALV
12	24	4499G	1/2" U-BOLT, 3"(3-1/2" OD) PIPE, GALV
13	12	4467-1G	BOLT, 5/8" X 2-1/4" LG HEX, A325 GALV
14	12	4764G	WASHER, 5/8" RGLR LOCK, GALV
15	12	4660G	NUT, 5/8" HEX, A563 GALV
16	12	2123LD-X-MTKIT [2]	ANTENNA MOUNT PIPE ASSY, 2" (2.38" OD) SCHED 40 GALV)

- [1] ITEM 1, SADDLE BRACKET ASSEMBLY, TO BE ORDERED SEPARATLY DEPENDING ON THE DIAMETER OF THE MONOPOLE.
- [2] ITEM 16 ANTENNA MOUNT PIPE ASSEMBLY, TO BE ORDERED SEPARATLY.
- [3] FULLY INSTALL ITEM 1 (SADDLE BRACKET) OR THE TOP HAT ASSEMBLY, PRIOR TO MOUNTING THE PLATFORM TO ACHIEVE PROPER FIT.
- [4] DIMENSION "A" MUST BE EQUAL FOR ALL 3 SADDLE BRACKETS, AFTER FULLY TIGHTENING ALL-THREADS.
- 5. WIND RATING: 90mph WITH TWELVE 5 SQ FT ANTENNAS INSTALLED.
- 6. FULL COMPLEMENT OF ANTENNA MOUNT PIPE ASSEMBLIES SHOWN.
- 7. GENERAL INSTALLATION GUIDELINES: CONSTRUCT THE PLATFORM ASSEMBLY, STARTING AT THE MONOPOLE AND WORKING OUTWARD. WITH THE EXCEPTION OF THE SADDLE BRACKET OR TOP HAT ASSEMBLY, KEEP ALL FASTENERS ON THE PLATFORM ASSEMBLY LOOSE UNTIL FULLY ASSEMBLED.
- [8] DIM "B" MUST BE EQUAL AT ALL THREE ARM LOCATIONS BETWEEN THE SADDLE BRACKET (OR TOP HAT) ASSEMBLY AND ARM WELDMENT.

D  
C  
B  
A

THE INFORMATION CONTAINED IN THIS DRAWING IS THE SOLE PROPERTY OF ALT. ANY REPRODUCTION IN PART OR WHOLE WITHOUT THE WRITTEN PERMISSION OF ALT IS PROHIBITED.  11/29/2011	CAD GENERATED DRAWING, DO NOT MANUALLY UPDATE		 800-950-7933 FAX 940-455-2817 www.altfabrication.com sales@altfabrication.com	122 Leesley Lane Argyle, Texas 76226
	APPROVALS	DATE		
	DRAWN CDM	08/25/04	<b>12' UNIVERSAL PLATFORM 11" TO 47" DIA MONOPOLE</b>	
	CHECKED JMD	10/04/04	DWG. NO. <b>2123LD-12</b>	
	ENGINEER JMD	10/04/04	REV. <b>A</b>	
ISSUED DMR	10/05/04	SCALE: NTS   DO NOT SCALE DRAWING   SHEET 1 OF 3		



THE INFORMATION CONTAINED IN THIS DRAWING IS THE SOLE PROPERTY OF ALT. ANY REPRODUCTION IN PART OR WHOLE WITHOUT THE WRITTEN PERMISSION OF ALT IS PROHIBITED.

11/29/2011

CAD GENERATED DRAWING, DO NOT MANUALLY UPDATE

APPROVALS	DATE
DRAWN CDM	08/25/04
CHECKED JMD	10/04/04
ENGINEER JMD	10/04/04
ISSUED DMR	10/05/04

ALT 800-950-7933  
FAX 940-455-2817  
www.altfabrication.com  
sales@altfabrication.com

122 Leesley Lane  
Argyle, Texas  
76226

12' UNIVERSAL PLATFORM  
11" TO 47" DIA MONOPOLE

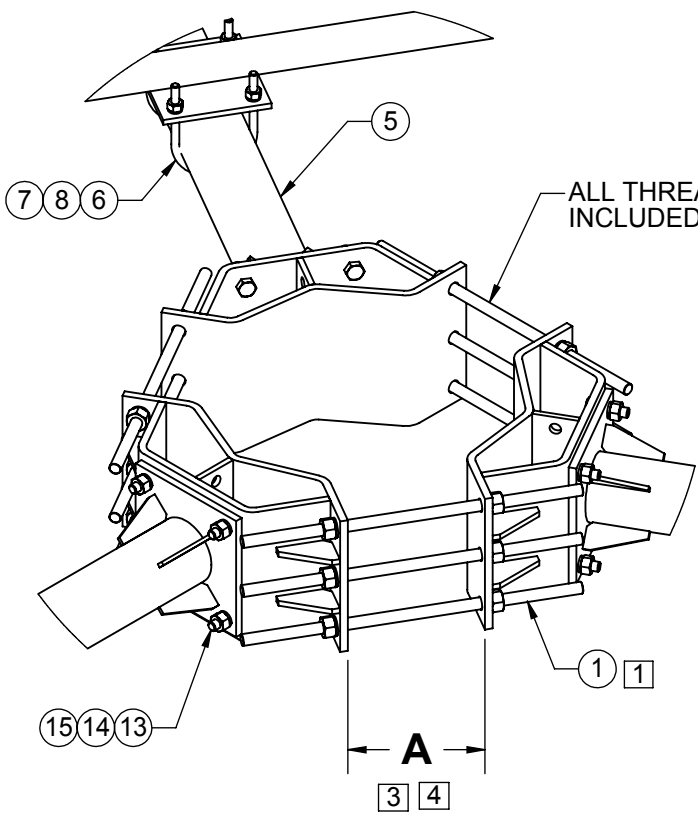
DWG. NO. 2123LD-12

SCALE: NTS DO NOT SCALE DRAWING SHEET 2 OF 3

REV. A

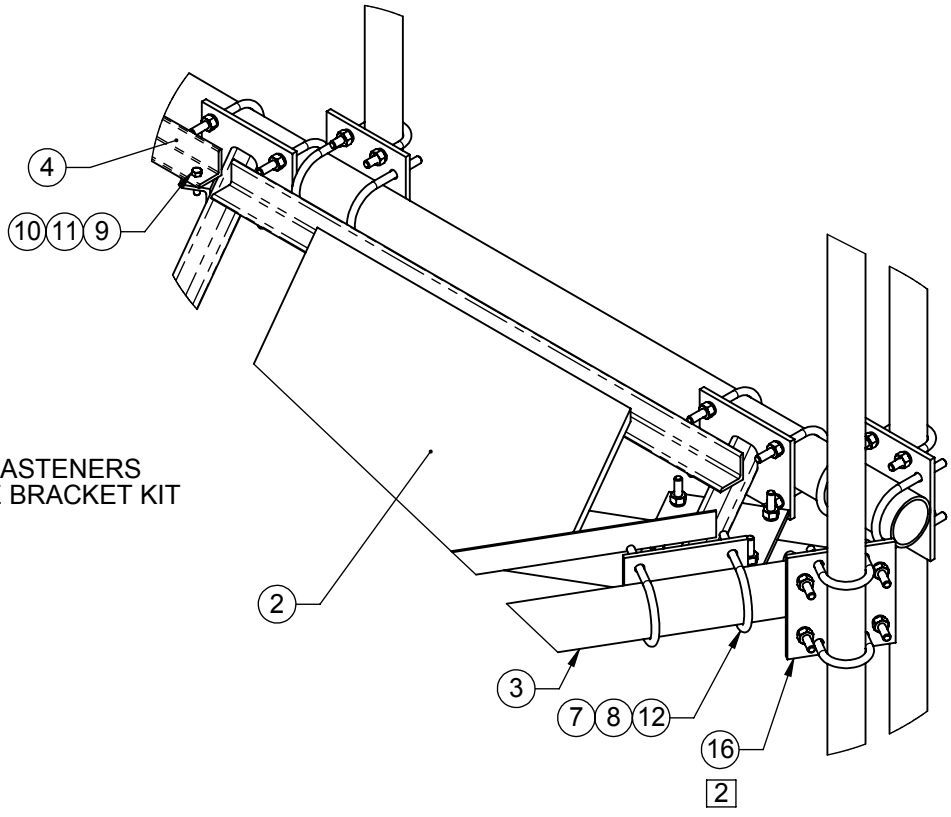
8 7 6 5 4 3 2 1

D  
C  
B  
A




**DETAIL B**

ALL THREADS WITH FASTENERS INCLUDED IN SADDLE BRACKET KIT



**DETAIL A**

<p>THE INFORMATION CONTAINED IN THIS DRAWING IS THE SOLE PROPERTY OF ALT. ANY REPRODUCTION IN PART OR WHOLE WITHOUT THE WRITTEN PERMISSION OF ALT IS PROHIBITED.</p> <p>11/29/2011</p>	<p>CAD GENERATED DRAWING, DO NOT MANUALLY UPDATE</p>		 <p>800-950-7933 FAX 940-455-2817 www.altfabrication.com sales@altfabrication.com</p>	<p>122 Leesley Lane Argyle, Texas 76226</p>
	APPROVALS	DATE		
	DRAWN CDM	08/25/04	<p><b>12' UNIVERSAL PLATFORM 11" TO 47" DIA MONOPOLE</b></p>	
	CHECKED JMD	10/04/04		
	ENGINEER JMD	10/04/04	<p>DWG. NO. <b>2123LD-12</b></p>	
ISSUED DMR	10/05/04	<p>SCALE: NTS DO NOT SCALE DRAWING SHEET 3 OF 3</p>		<b>A</b>