
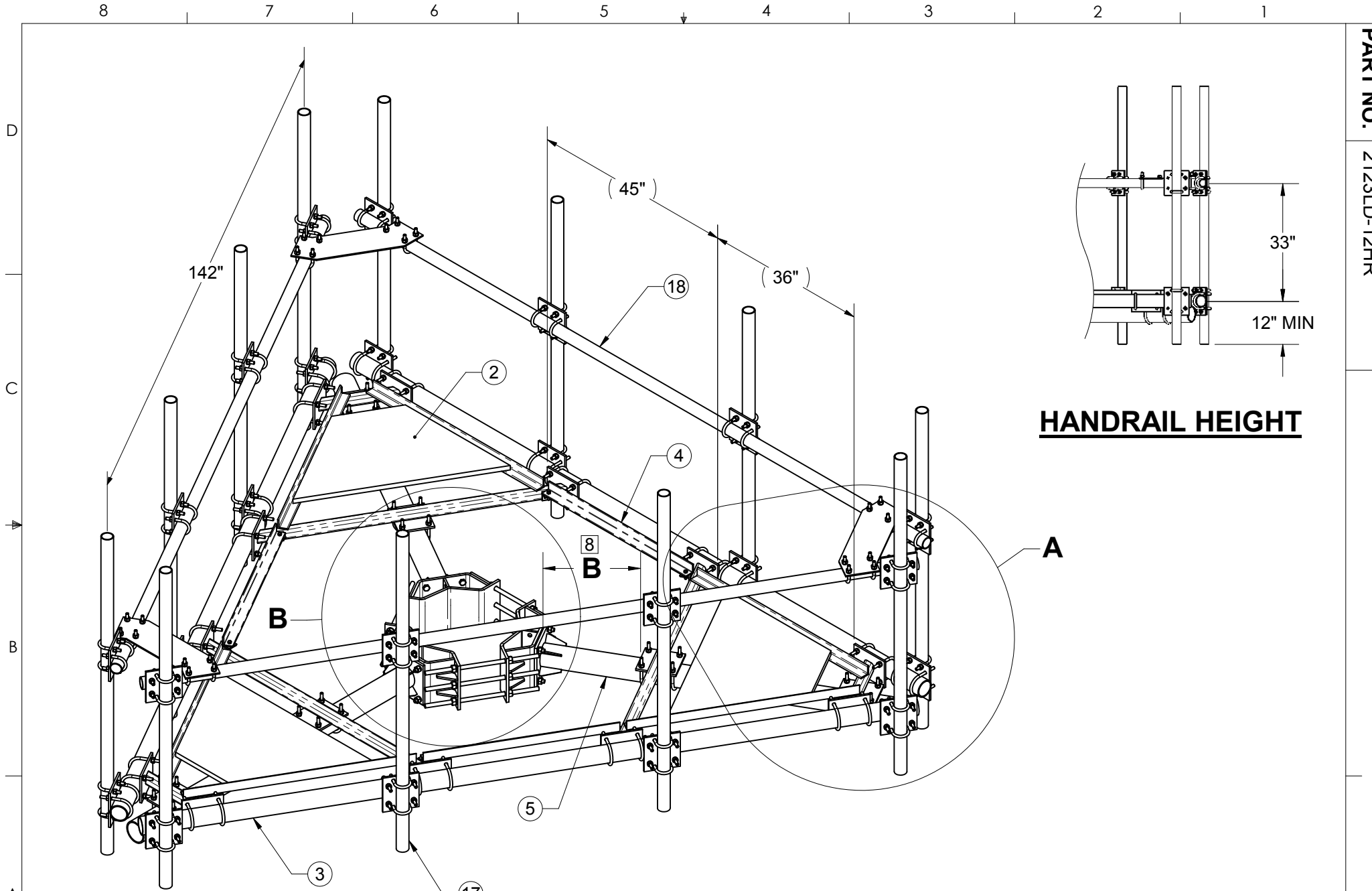


ITEM NO.	QTY.	PART NO.	DESCRIPTION
1	1	2121LD-XXXX [1]	SADDLE BRACKET ASSEMBLY, LIGHT DUTY
2	3	7000-2123LD-WF	WELDMNT, FLOOR, PLATFORM
3	3	7000-2123LD-150	PIPE, (3.50"OD X 150" A53 GRB), GALV
4	3	7000-2123LD-4.1	ANGLE, FLOOR SUPPORT, (L2" X 2" X 1/4" X 38" LG)
5	3	7000-2123LD-1	WELDMNT, PLATFORM SUPPORT
6	12	4499-4G	U-BOLT, 2" (2.38" OD) PIPE, GALV (1/2" DIA)
7	96	4650G	NUT, 1/2" HEX, A563 GALV
8	96	4754G	WASHER, 1/2" RGLR LOCK, GALV
9	12	4499-5G	U-BOLT, 4" (4.50" OD) PIPE, GALV (1/2" DIA)
10	6	4424G	BOLT, 3/8" X 1-1/2" LG HEX, GALV
11	6	4621G	NUT, 3/8" HEX, GALV
12	6	4724G	WASHER, 3/8" RGLR LOCK, GALV
13	24	4499G	U-BOLT, 3" (3.5" OD) PIPE, GALV (1/2" DIA)
14	12	4467-1G	BOLT, 5/8" X 2-1/4" LG HEX, A325 GALV
15	12	4764G	WASHER, 5/8" RGLR LOCK, GALV
16	12	4660G	NUT, 5/8" HEX, A563 GALV
17	12	2123LD-X-HRMTKIT [2]	ANTENNA MOUNT PIPE ASSY , (2" (2.38" OD) SCHED 40 GALV)
18	3	7000-2116-12	PIPE, 2" (2.38" OD) SCHED 40 X 150" LG, GALV
19	3	7000-2123LD-14.7	CORNER BRACKET, 12FT PLATFORM

- [1] ITEM 1, SADDLE BRACKET ASSEMBLY, TO BE ORDERED SEPARATLY DEPENDING ON THE DIAMETER OF THE MONOPOLE.
- [2] ITEMS 17, ANTENNA MOUNT PIPE ASSY TO BE ORDERED SEPARATLY. ALL OUTSIDE ANTENNA MOUNT PIPE ASSEMBLIES ARE REQUIRED FOR HANDRAIL SUPPORT. AT LEAST THREE ITEM 17, ANTENNA MOUNT PIPE ASSY, IS REQUIRED PER PLATFORM FACE.
- [3] FULLY INSTALL ITEM 1 (SADDLE BRACKET) OR THE TOP HAT ASSEMBLY, PRIOR TO MOUNTING THE PLATFORM TO ACHIEVE PROPER FIT.
- [4] DIMENSION "A" MUST BE EQUAL FOR ALL 3 SADDLE BRACKETS, AFTER FULLY TIGHTENING ALL-THREADS.
5. WIND RATING: 90mph WITH TWELVE 5 SQ FT ANTENNAS INSTALLED. CONTACT THE FACTORY FOR WIND RATINGS FOR OTHER ANTENNA SIZES AND/OR QUANTITIES.
6. FULL COMPLEMENT OF ANTENNA MOUNT PIPE ASSEMBLIES SHOWN.
7. GENERAL INSTALLATION GUIDELINES: CONSTRUCT THE PLATFORM ASSEMBLY, STARTING AT THE MONOPOLE AND WORKING OUTWARD. WITH THE EXCEPTION OF THE SADDLE BRACKET OR TOP HAT ASSEMBLY, KEEP ALL FASTENERS ON THE PLATFORM ASSEMBLY LOOSE UNTIL FULLY ASSEMBLED.
- [8] DIM "B" MUST BE EQUAL AT ALL THREE ARM LOCATIONS BETWEEN THE SADDLE BRACKET (OR TOP HAT) ASSEMBLY AND ARM WELDMNT.

D  
C  
B  
A

THE INFORMATION CONTAINED IN THIS DRAWING IS THE SOLE PROPERTY OF ALT. ANY REPRODUCTION IN PART OR WHOLE WITHOUT THE WRITTEN PERMISSION OF ALT IS PROHIBITED.  10/5/2004	CAD GENERATED DRAWING, DO NOT MANUALLY UPDATE		 800-950-7933 FAX 940-455-2817 www.altfabrication.com sales@altfabrication.com	122 Leesley Lane Argyle, Texas 76226			
	APPROVALS			DATE			
	DRAWN	CDM	08/25/04		<b>12' UNIVERSAL PLATFORM WITH HANDRAILS</b> <b>11" TO 47" DIA MONOPOLE</b>  DWG. NO. <b>2123LD-12HR</b>		
	CHECKED	JMD	10/04/04				
	ENGINEER	JMD	10/04/04				
ISSUED	DMR	10/05/04		SCALE: NTS	DO NOT SCALE DRAWING	SHEET 1 OF 3	REV. <b>A</b>




**PART NO.**  
2123LD-12HR

**HANDRAIL HEIGHT**

THE INFORMATION CONTAINED IN THIS DRAWING IS THE SOLE PROPERTY OF ALT. ANY REPRODUCTION IN PART OR WHOLE WITHOUT THE WRITTEN PERMISSION OF ALT IS PROHIBITED.

10/5/2004

CAD GENERATED DRAWING, DO NOT MANUALLY UPDATE

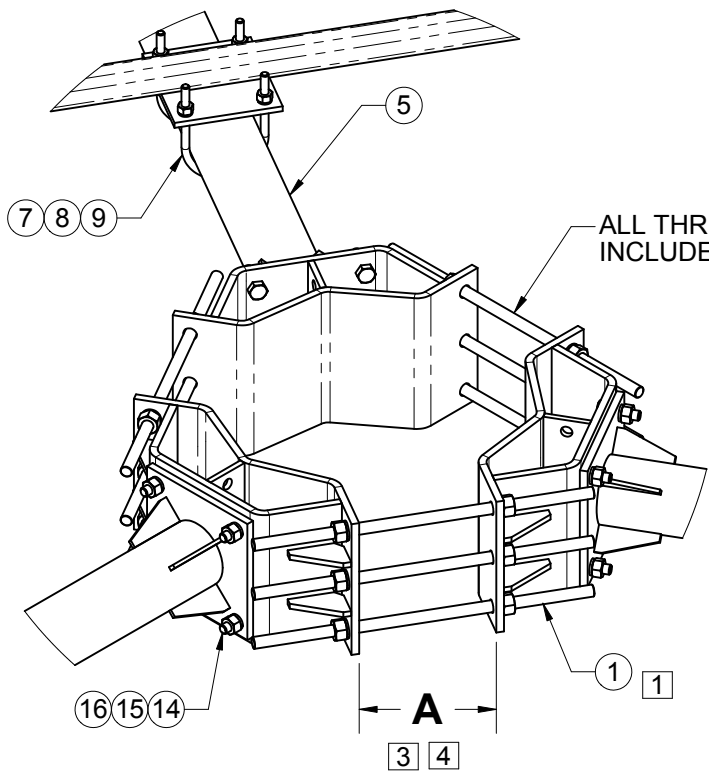
APPROVALS	DATE	 800-950-7933 FAX 940-455-2817 www.altfabrication.com sales@altfabrication.com	122 Leesley Lane Argyle, Texas 76226
DRAWN CDM	08/25/04		
CHECKED JMD	10/04/04		
ENGINEER JMD	10/04/04		
ISSUED DMR	10/05/04	DWG. NO. <b>2123LD-12HR</b>	REV. <b>A</b>

SCALE: NTS | DO NOT SCALE DRAWING | SHEET 2 OF 3

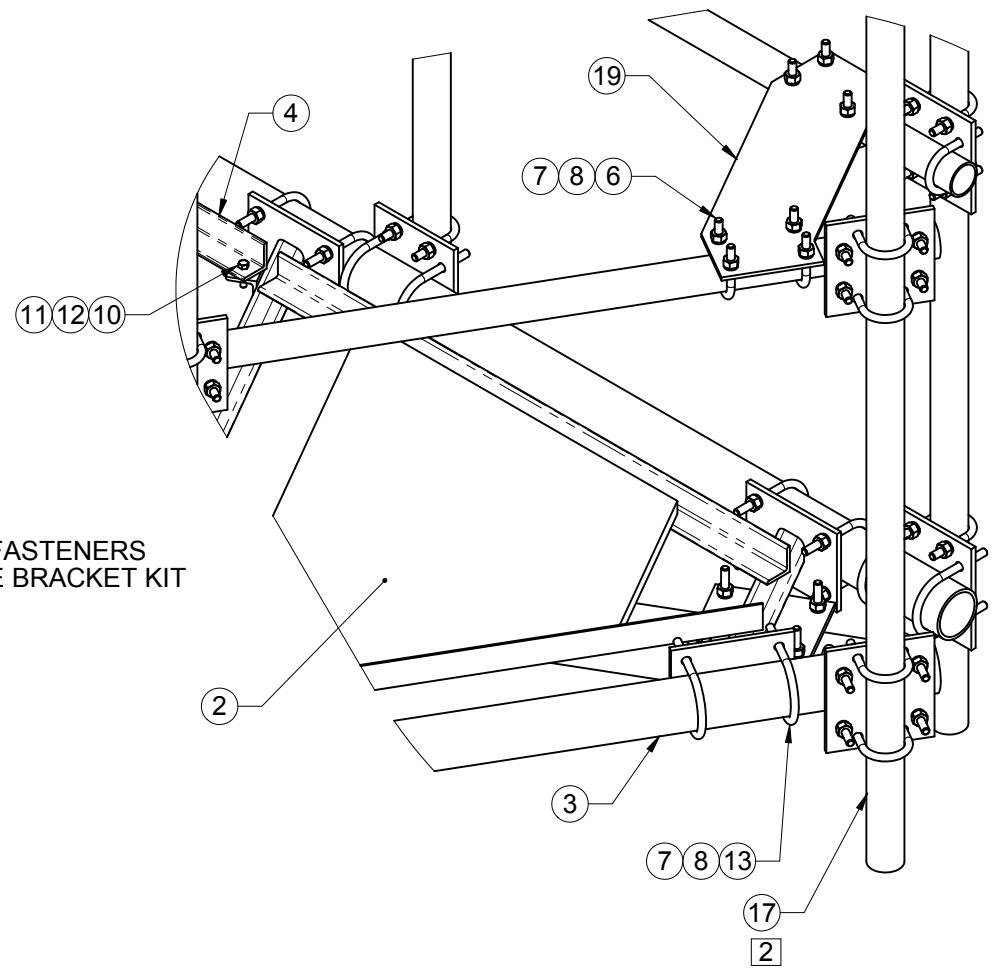
8 7 6 5 4 3 2 1

D  
C  
B  
A


**PART NO.**  
2123LD-12HR



**DETAIL B**



**DETAIL A**

<p>THE INFORMATION CONTAINED IN THIS DRAWING IS THE SOLE PROPERTY OF ALT. ANY REPRODUCTION IN PART OR WHOLE WITHOUT THE WRITTEN PERMISSION OF ALT IS PROHIBITED.</p> <p>10/5/2004</p>	<p>CAD GENERATED DRAWING, DO NOT MANUALLY UPDATE</p>		 <p>800-950-7933 FAX 940-455-2817 www.altfabrication.com sales@altfabrication.com</p>	<p>122 Leesley Lane Argyle, Texas 76226</p>	
	<p>APPROVALS</p>	<p>DATE</p>			<p><b>12' UNIVERSAL PLATFORM WITH HANDRAILS 11" TO 47" DIA MONOPOLE</b></p>
	<p>DRAWN CDM</p>	<p>08/25/04</p>	<p>DWG. NO.</p>		
	<p>CHECKED JMD</p>	<p>10/04/04</p>	<p><b>2123LD-12HR</b></p>	<p>REV.</p>	
	<p>ENGINEER JMD</p>	<p>10/04/04</p>	<p>SCALE: NTS</p>	<p>DO NOT SCALE DRAWING</p>	
<p>ISSUED DMR</p>	<p>10/05/04</p>	<p>SHEET 3 OF 3</p>	<p><b>A</b></p>		