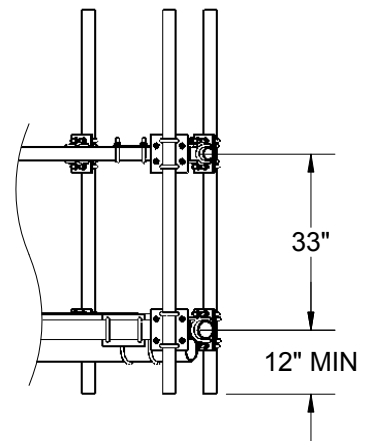


1. FULL COMPLEMENT OF ANTENNA MOUNT PIPES SHOWN.
2. ITEM 2, ANTENNA MOUNT PIPE ASSY, TO BE ORDERED SEPARATLY. A MINIMUM OF SIX ANTENNA PIPES ARE REQUIRED (THREE PER FACE).
3. WIND RATING: 90mph WITH TWELVE 5 SQFT ANTENNAS INSTALLED. CONTACT THE FACTORY FOR WIND RATINGS FOR OTHER ANTENNA SIZES AND/OR QUANTITIES.



**HANDRAIL HEIGHT**

ITEM NO.	QTY.	PART NO.	DESCRIPTION
1	3	2125-150	PIPE, 2" (2.38" OD) SCHED 40 X 150" LG, GALV
2	6-12	2123LD-X-HRMTKIT 2	ANTENNA MOUNT PIPE ASSY , (2" (2.38" OD) SCHED 40 GALV)
3	3	7000-2123LD-14.7	CORNER BRACKET, 12FT PLATFORM
4	12	4499-4G	U-BOLT, 2" (2.38" OD) PIPE, GALV (1/2" DIA)
5	24	4650G	NUT, 1/2" HEX, A563 GALV
6	24	4754G	WASHER, 1/2" RGLR LOCK, GALV

<p>THE INFORMATION CONTAINED IN THIS DRAWING IS THE SOLE PROPERTY OF ALT. ANY REPRODUCTION IN PART OR WHOLE WITHOUT THE WRITTEN PERMISSION OF ALT IS PROHIBITED.</p> <p style="text-align: right;">10/13/2004</p>	<p>CAD GENERATED DRAWING, DO NOT MANUALLY UPDATE</p>		<p>800-950-7933 FAX 940-455-2817 www.altfabrication.com sales@altfabrication.com</p>	<p>122 Leesley Lane Argyle, Texas 76226</p>
	APPROVALS	DATE		
	DRAWN CDM	09/21/04	<p><b>HANDRAIL KIT 12' UNIVERSAL PLATFORM</b></p>	
	CHECKED JMD	10/04/04	DWG. NO.	<p><b>2123LD-12HRKIT</b></p>
ENGINEER JMD	10/04/04			<p><b>A</b></p>
ISSUED DMR	10/07/04	SCALE: NTS	DO NOT SCALE DRAWING	SHEET 1 OF 2

