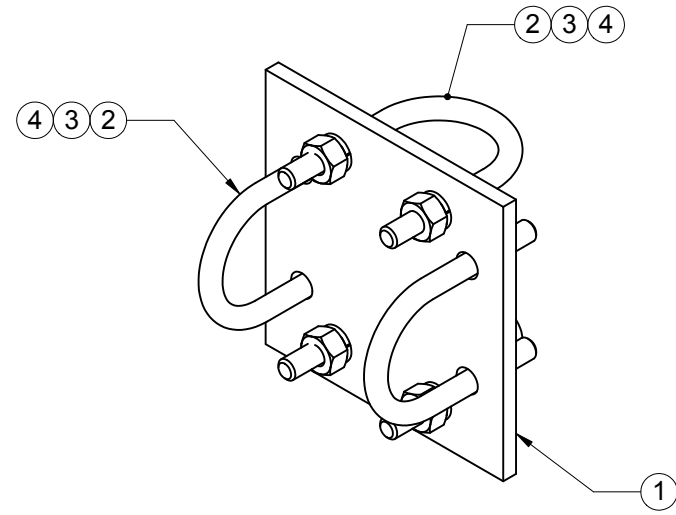



8 7 6 5 4 3 2 1

D
C
B
A

PART NO.
2120-5HD



ITEM NO.	QTY.	PART NO.	DESCRIPTION
1	1	7000-2120-5HD	CROSSOVER PLATE, 2" PIPE TO 2" PIPE, 1/2" U-BOLT
2	4	4499-4G	U-BOLT, 2" (2.38" OD) PIPE, GALV (1/2" DIA)
3	8	4650G	NUT, 1/2" HEX, A563 GALV
4	8	4754G	WASHER, 1/2" RGLR LOCK, GALV

THE INFORMATION CONTAINED IN THIS DRAWING IS THE SOLE PROPERTY OF ALT. ANY REPRODUCTION IN PART OR WHOLE WITHOUT THE WRITTEN PERMISSION OF ALT IS PROHIBITED. 11/14/2005	CAD GENERATED DRAWING, DO NOT MANUALLY UPDATE		 800-950-7960 FAX 940-455-2817 www.altfabrication.com sales@altfabrication.com	122 Leesley Lane Argyle, Texas 76226		
	APPROVALS	DATE			CROSSOVER PLATE ASSY 2" PIPE TO 2" PIPE 1/2" U-BOLT	
	DRAWN CDM	05/07/01	DWG. NO.	REV. A		
	CHECKED JMD	06/11/01	2120-5HD			
	ENGINEER JMD	06/11/01	SCALE: NTS			
ISSUED						