
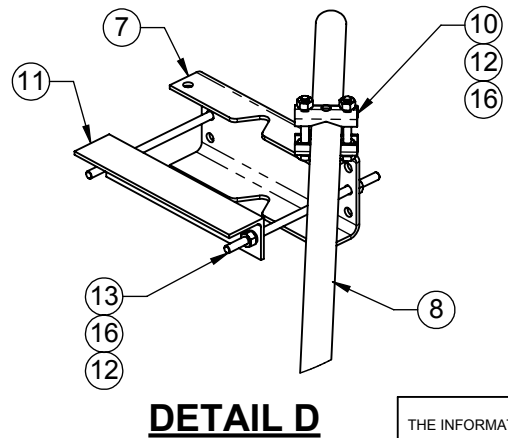
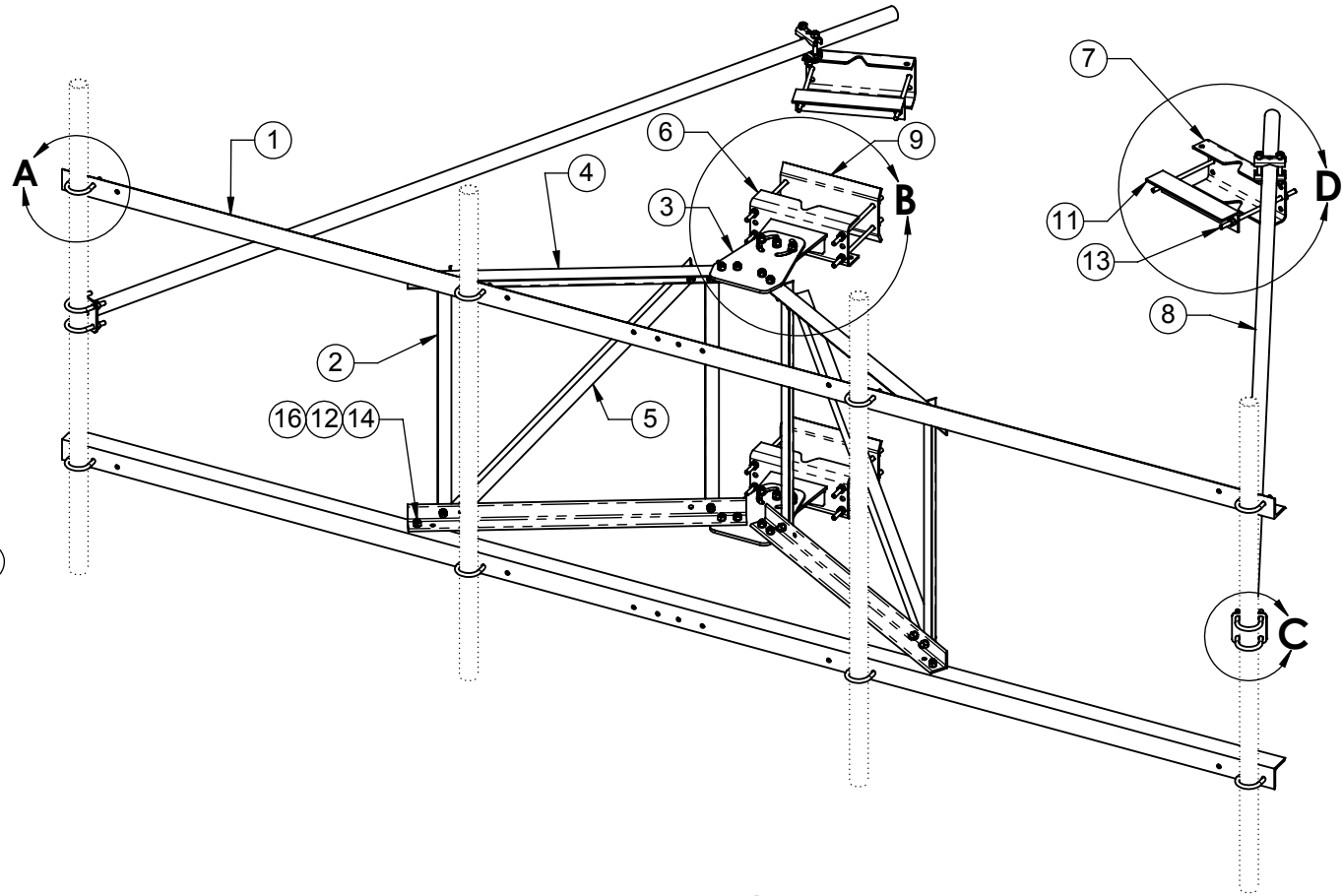
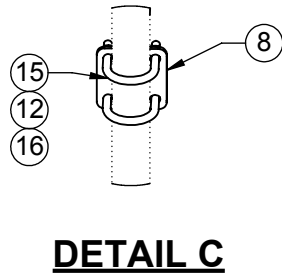
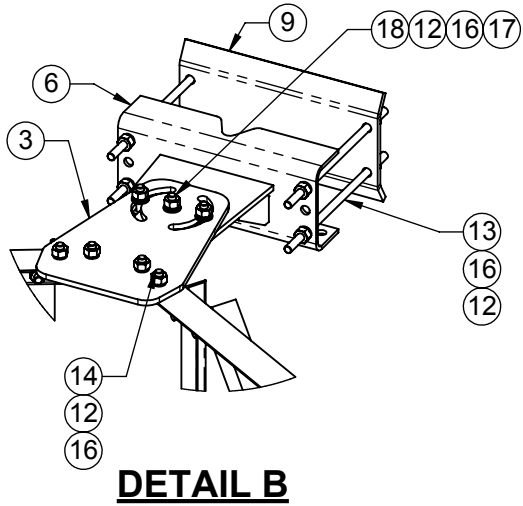
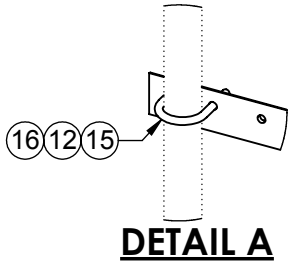


1. WIND RATING: 120 MPH (REV ANSI/TIA-222-G) WITH 4 - 4 SQ FT ANTENNAS INSTALLED.
- 2 ITEM 19, ANTENNA MOUNT PIPE, TO BE ORDERED SEPERATELY.  
**NOTE:** MUST HAVE A MIN. OF 3 PIPES FOR MOUNT TO MEET LOADING REQUIREMENTS.
3. FULL COMPLEMENT OF ANTENNA MOUNT PIPES SHOWN.
- 4 ITEM 17, FLAT WASHERS, TO BE INSTALLED AGAINST SLOTS ON ITEMS 3 AND 6.
- 5 INSTALL THE CENTER PIVOT BOLT/NUT/WASHER ASSEMBLY AT THE TOP AND BOTTOM TOWER LEG BRACKET WITH THE DESIRED TOWER TAPER THEN PARTIALLY TIGHTEN. ROTATE THE SECTOR FRAME TO DESIRED AZIMUTH POSITION. INSTALL OUTER (2) BOLT/NUT/WASHER THROUGH THE CURVED SLOTS IN ITEM 3 AT THE TOP AND BOTTOM.
- 6 TO ACHIEVE POSTED WIND RATING, FULLY TIGHTEN ALL (6) AZIMUTH PIVOT POINT BOLTS BY TURNING NUTS 1/3 PAST "SNUG TIGHT" CONDITION AS DEFINED BY AISC 9TH EDITION ASD AFTER FINAL AZIMUTH POSITIONING.
7. AZIMUTH ROTATION: ±60° ON CENTER LINE OF TOWER LEG.
8. MAX TOWER LEG SIZE:  
ROUND LEG - 8" OD  
90° ANGLE LEG - 8" X 8"  
60° ANGLE LEG - 11" TIP TO TIP

ITEM NO.	QTY.	PART NO.	DESCRIPTION
1	2	7000-2116R-2-14	MAIN FACE CHORD, L3" X 5/16"
2	4	7000-2116R-2-2	VERTICAL, FAN TRUSS, L1-3/4" X 3/16"
3	2	7000-2116R-2-3	TAPER BRACKET
4	4	7000-2116R-2-4	CHORD, FAN TRUSS, L2-1/2" X 1/4"
5	2	7000-2116R-2-5	DIAGONAL, FAN TRUSS, L1-3/4" X 3/16"
6	2	7000-2120-TB	WELDMENT, TOWER LEG BRACKET, UNIVERSAL
7	2	7000-2120-TB.1	TAPER BRACKET LEG ADAPTOR
8	2	7000-2120-01	(1.9 OD)10'-6" SWAY BAR ASSEMBLY
9	2	7000-2120-AA.2	BACKPLATE, ANGLE LEG ADAPTER,
10	2	7000-2120-KD.2	SWAY BAR CLAMP ASSEMBLY
11	2	7000-2120-KD.3	CLAMP ANGLE 1/4" X 3" X 14"
12	84	4650G-BULK	NUT, 1/2" HEX, A563 GALV
13	12	4375G-13	1/2" X 13" ALL THREAD
14	24	4454G-BULK	BOLT, 1/2" x 1-1/2" LG HEX, A325 GALV.
15	12	4499-4G	U-BOLT, 2 3/8" OD PIPE, GALV 1/2" DIA
16	90	4754G-BULK	WASHER, 1/2" RGLR LOCK, GALV
17	12	4750G-BULK	WASHER, 1/2" NARROW, GALV
18	6	4455G	BOLT, 1/2" X 2" LG HEX, A325 GLAV.
19	4	SEE PACKING LIST	2"(2-3/8"OD) OR 2-1/2"(2-7/8"OD) GALV PIPE
20	4	4499-2G	1/2" GALV U-BOLT FOR 2-7/8" OD (NOT SHOWN)

THE INFORMATION CONTAINED IN THIS DRAWING IS THE SOLE PROPERTY OF ALT. ANY REPRODUCTION IN PART OR WHOLE WITHOUT THE WRITTEN PERMISSION OF ALT IS PROHIBITED.  11/10/2016	CAD GENERATED DRAWING, DO NOT MANUALLY UPDATE		 800-950-7960 FAX 940-455-2817 www.altfabrication.com sales@altfabrication.com	122 Leesley Lane Argyle, Texas 76226			
	APPROVALS	DATE		TITLE: <b>14' SECTOR FRAME                  ROTATABLE, HEAVY DUTY</b>  DWG. NO. <b>2116R-14HD</b>		REV. <b>C</b>	
	DRAWN	SF					09/01/09
	CHECKED	TU					09/14/09
	ENGINEER	RB					09/14/09
ISSUED			SCALE: NTS	DO NOT SCALE DRAWING	SHEET: 1 OF 3		



THE INFORMATION CONTAINED IN THIS DRAWING IS THE SOLE PROPERTY OF ALT. ANY REPRODUCTION IN PART OR WHOLE WITHOUT THE WRITTEN PERMISSION OF ALT IS PROHIBITED.

11/10/2016



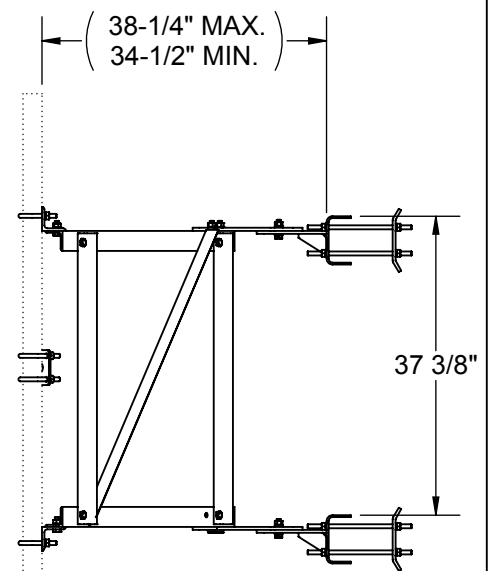
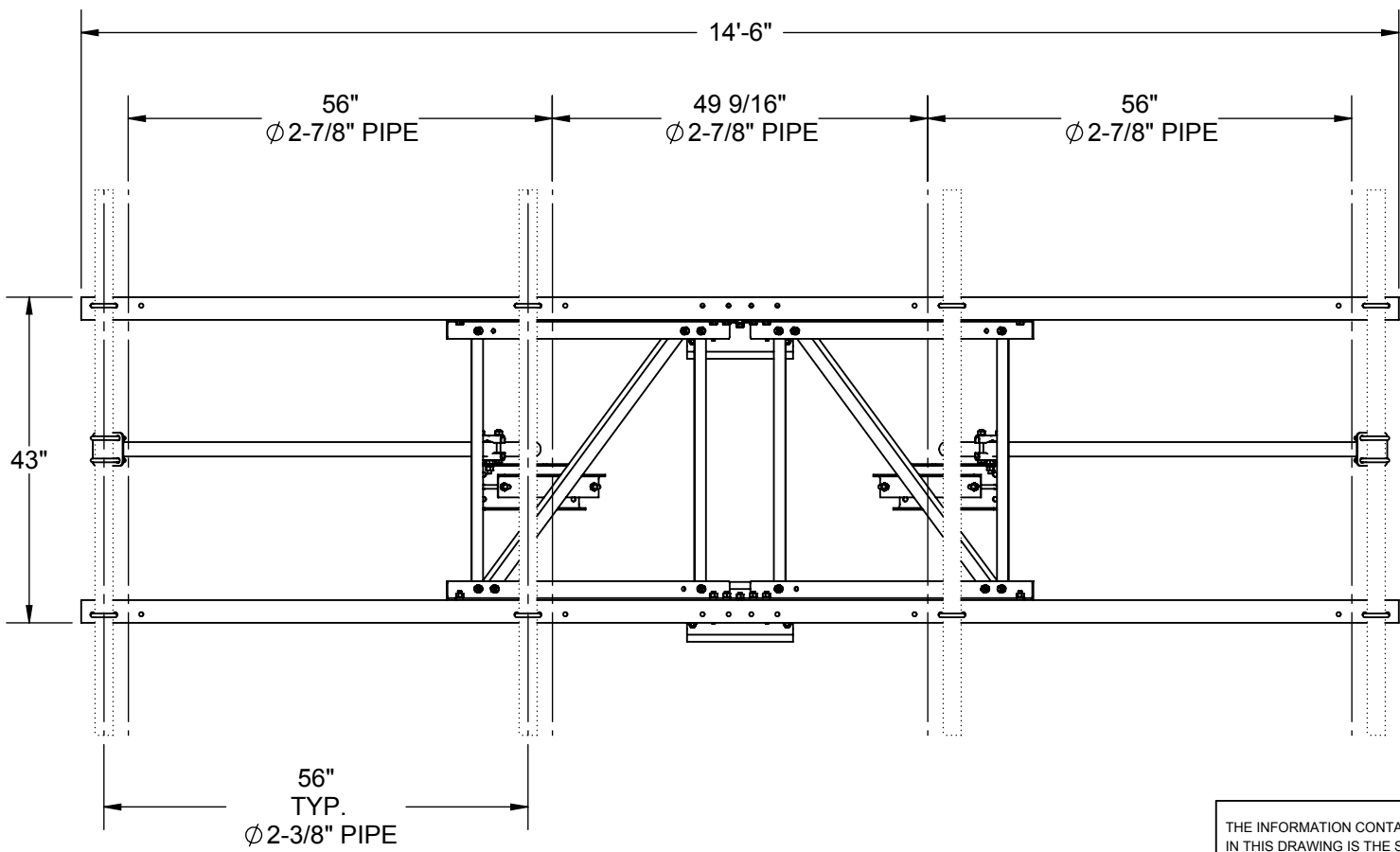
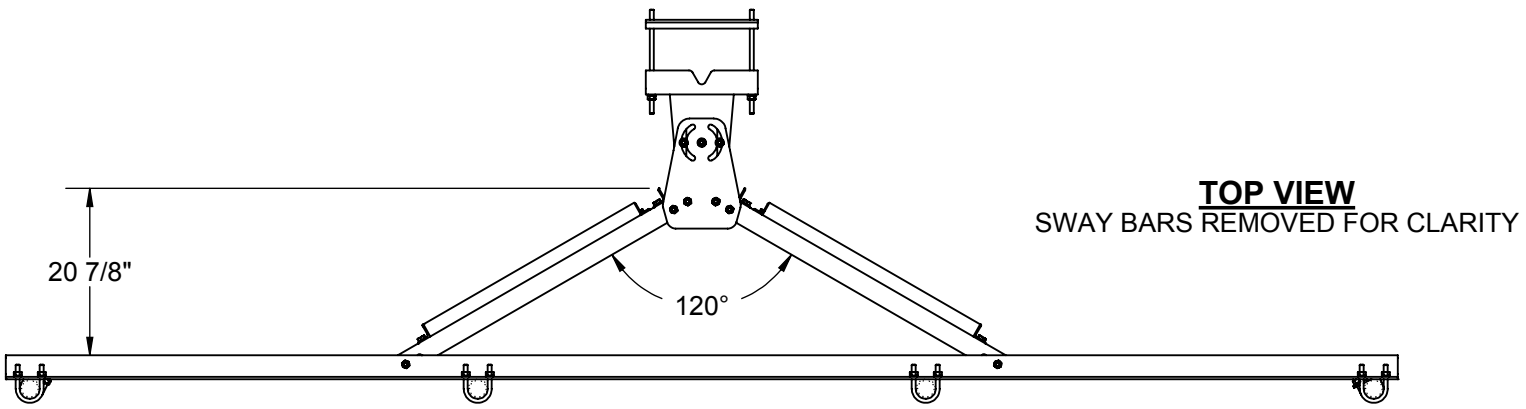
800-950-7960  
FAX 940-455-2817  
www.altfabrication.com  
sales@altfabrication.com

122 Leesley Lane  
Argyle, Texas  
76226

TITLE:  
**14' SECTOR FRAME  
ROTATABLE, HEAVY DUTY**

DWG. NO.  
**2116R-14HD**

REV.  
**C**



**SIDE VIEW**  
SWAY BARS REMOVED FOR CLARITY

THE INFORMATION CONTAINED IN THIS DRAWING IS THE SOLE PROPERTY OF ALT. ANY REPRODUCTION IN PART OR WHOLE WITHOUT THE WRITTEN PERMISSION OF ALT IS PROHIBITED.

11/10/2016



800-950-7960  
FAX 940-455-2817  
www.altfabrication.com  
sales@altfabrication.com

122 Leesley Lane  
Argyle, Texas  
76226

TITLE:  
**14' SECTOR FRAME  
ROTATABLE, HEAVY DUTY**

DWG. NO.  
**2116R-14HD**

REV.  
**C**