

- 1 ALT FABRICATION MOUNT MODEL 2116R-12HD IS CLASSIFIED AS M1050R(800)-4[6] BASED ON THE TIA-5053 MOUNTING SYSTEM CLASSIFICATION STANDARD.
- 2 ITEM 19, ANTENNA MOUNT PIPE, TO BE ORDERED SEPERATELY.
NOTE: MUST HAVE 4 PIPES FOR MOUNT TO MEET LOADING REQUIREMENTS.
3. FULL COMPLEMENT OF ANTENNA MOUNT PIPES SHOWN.
- 4 ITEM 17, FLAT WASHERS, TO BE INSTALLED AGAINST SLOTS ON ITEMS 3 AND 6.
- 5 INSTALL THE CENTER PIVOT BOLT/NUT/WASHER ASSEMBLY AT THE TOP AND BOTTOM TOWER LEG BRACKET WITH THE DESIRED TOWER TAPER THEN PARTIALLY TIGHTEN. ROTATE THE SECTOR FRAME TO DESIRED AZIMUTH POSITION. INSTALL OUTER (2) BOLT/NUT/WASHER THROUGH THE CURVED SLOTS IN ITEM 3 AT THE TOP AND BOTTOM.
- 6 TO ACHIEVE POSTED WIND RATING, FULLY TIGHTEN ALL (6) AZIMUTH PIVOT POINT BOLTS BY TURNING NUTS 1/3 PAST "SNUG TIGHT" CONDITION AS DEFINED BY AISC 9TH EDITION ASD AFTER FINAL AZIMUTH POSITIONING.
7. AZIMUTH ROTATION: $\pm 60^\circ$ ON CENTER LINE OF TOWER LEG.
8. MAX TOWER LEG SIZE:
ROUND LEG - 8" OD
90° ANGLE LEG - 8" X 8"
60° ANGLE LEG - 11" TIP TO TIP
9. ALLOWABLE VERTICAL CENTERLINE OFFSET, e = +/- 6in.

ITEM NO.	QTY.	PART NO.	DESCRIPTION
1	2	7000-2116R-2-12	MAIN FACE CHORD, L3" X 5/16"
2	4	7000-2116R-2-2	VERTICAL, FAN TRUSS, L1-3/4" X 3/16"
3	2	7000-2116R-2-3	TAPER BRACKET
4	4	7000-2116R-2-4	CHORD, FAN TRUSS, L2-1/2" X 1/4"
5	2	7000-2116R-2-5	DIAGONAL, FAN TRUSS, L1-3/4" X 3/16"
6	2	7000-2120-TB	WELDMENT, TOWER LEG BRACKET, UNIVERSAL
7	2	7000-2120-TB.1	TAPER BRACKET LEG ADAPTOR
8	2	7000-2120-01	(1.9 OD)10'-6" SWAY BAR ASSEMBLY
9	2	7000-2120-AA.2	BACKPLATE, ANGLE LEG ADAPTER,
10	2	7000-2120-KD.2	SWAY BAR CLAMP ASSEMBLY
11	2	7000-2120-KD.3	CLAMP ANGLE 1/4" X 3" X 14"
12	12	4499-4G	U-BOLT, 2 3/8" OD PIPE, GALV 1/2" DIA
13	84	4650G-BULK	NUT, 1/2" HEX, A563 GALV
14	90	4754G-BULK	WASHER, 1/2" RGLR LOCK, GALV
15	12	4375G-13	1/2" X 13" ALL THREAD
16	12	4750G-BULK	WASHER, 1/2" NARROW, GALV
17	24	4454G-BULK	BOLT, 1/2" x 1-1/2" LG HEX, A325 GALV.
18	6	4455G	BOLT, 1/2" X 2" LG HEX, A325 GLAV.
19	4	2125-XX	2"(2-3/8" OD) OR 2-1/2"(2-7/8"OD) GALV PIPE
20	4	4499-2G	1/2" GALV U-BOLT FOR 2-7/8"OD (NOT SHOWN)

THE INFORMATION CONTAINED IN THIS DRAWING IS THE SOLE PROPERTY OF ALT. ANY REPRODUCTION IN PART OR WHOLE WITHOUT THE WRITTEN PERMISSION OF ALT IS PROHIBITED.

3/9/2018

FINISH: HDG WEIGHT: 488.2

CAD GENERATED DRAWING, DO NOT MANUALLY UPDATE

APPROVALS	DATE
DRAWN SF	05/06/09
CHECKED TU	08/24/09
ENGINEER RB	08/25/09
ISSUED	



800-950-7960
FAX 940-455-2817
www.altfabrication.com
sales@altfabrication.com

122 Leesley Lane
Argyle, Texas
76226

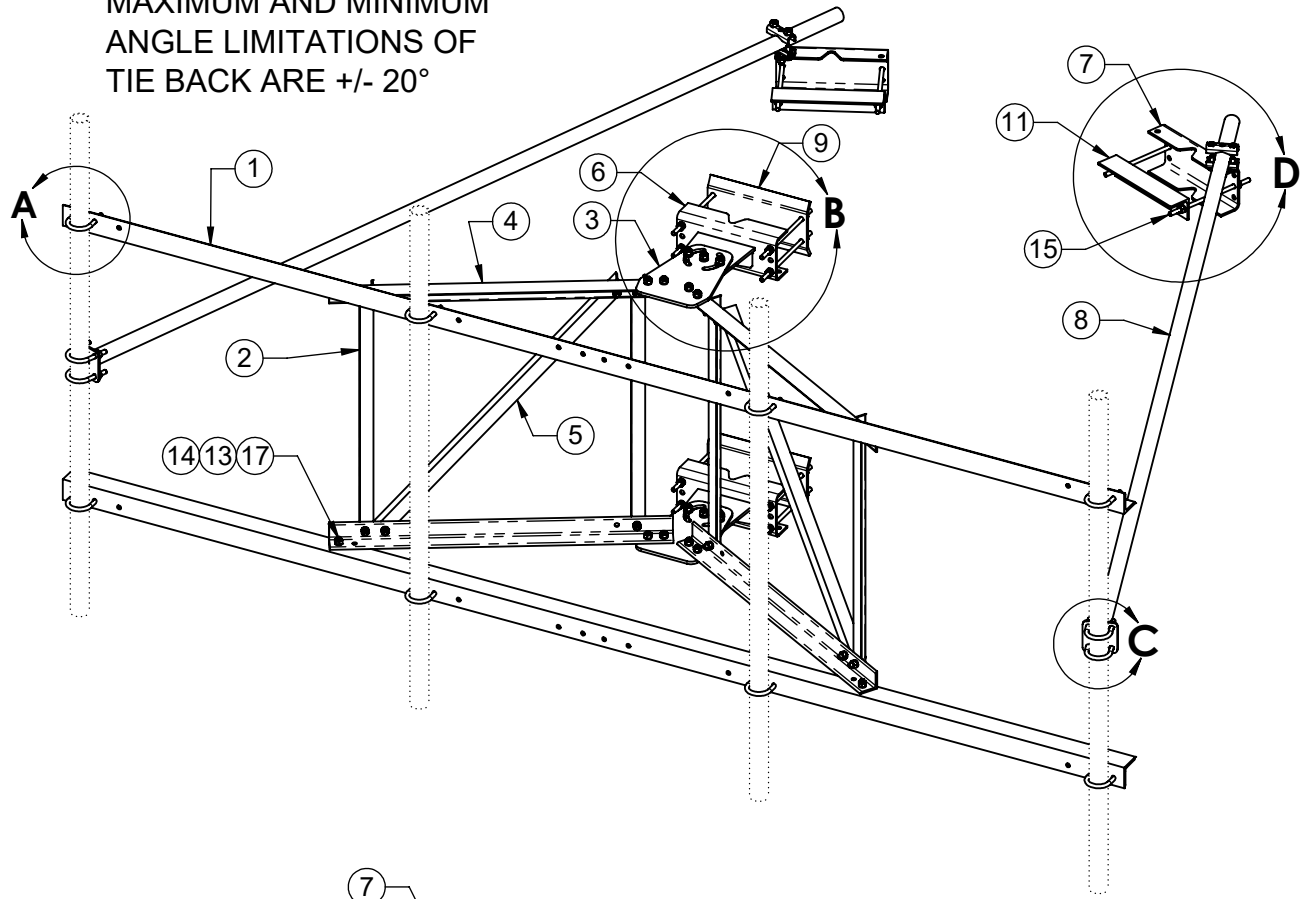
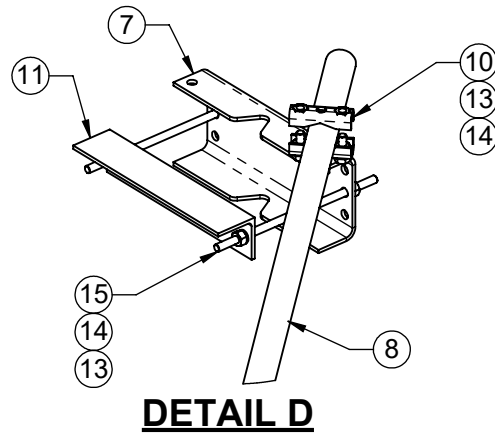
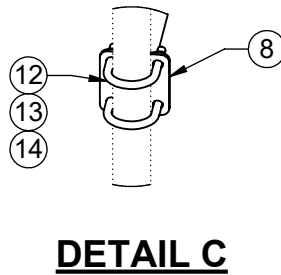
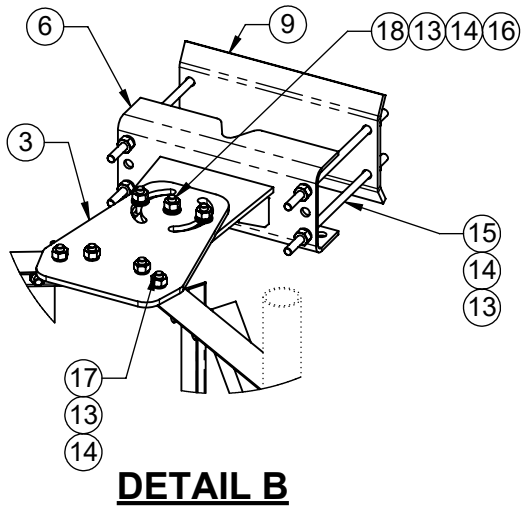
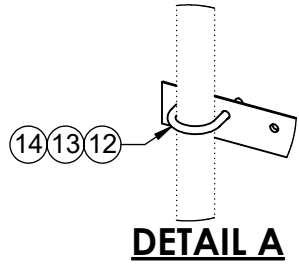
TITLE:
**12' SECTOR FRAME
ROTATABLE, HEAVY DUTY**


DWG. NO.
2116R-12HD

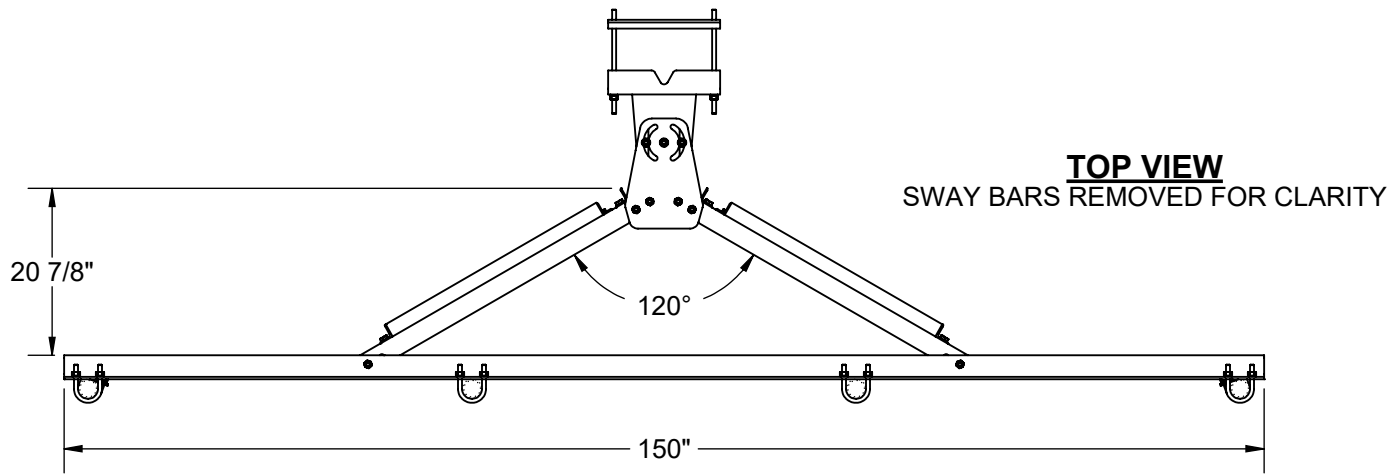
REV.
C

SCALE: NTS DO NOT SCALE DRAWING SHEET: 1 OF 3

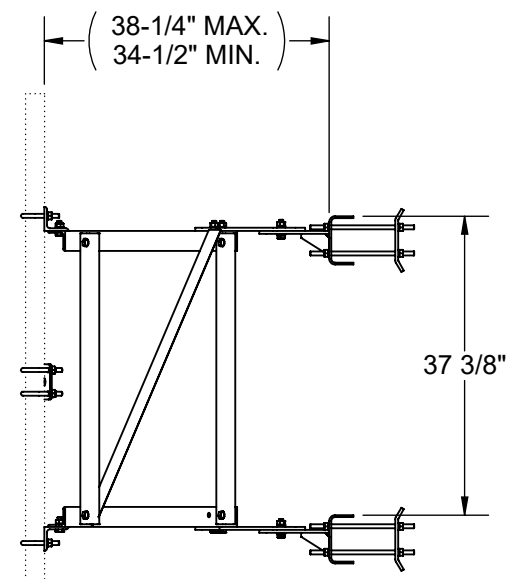
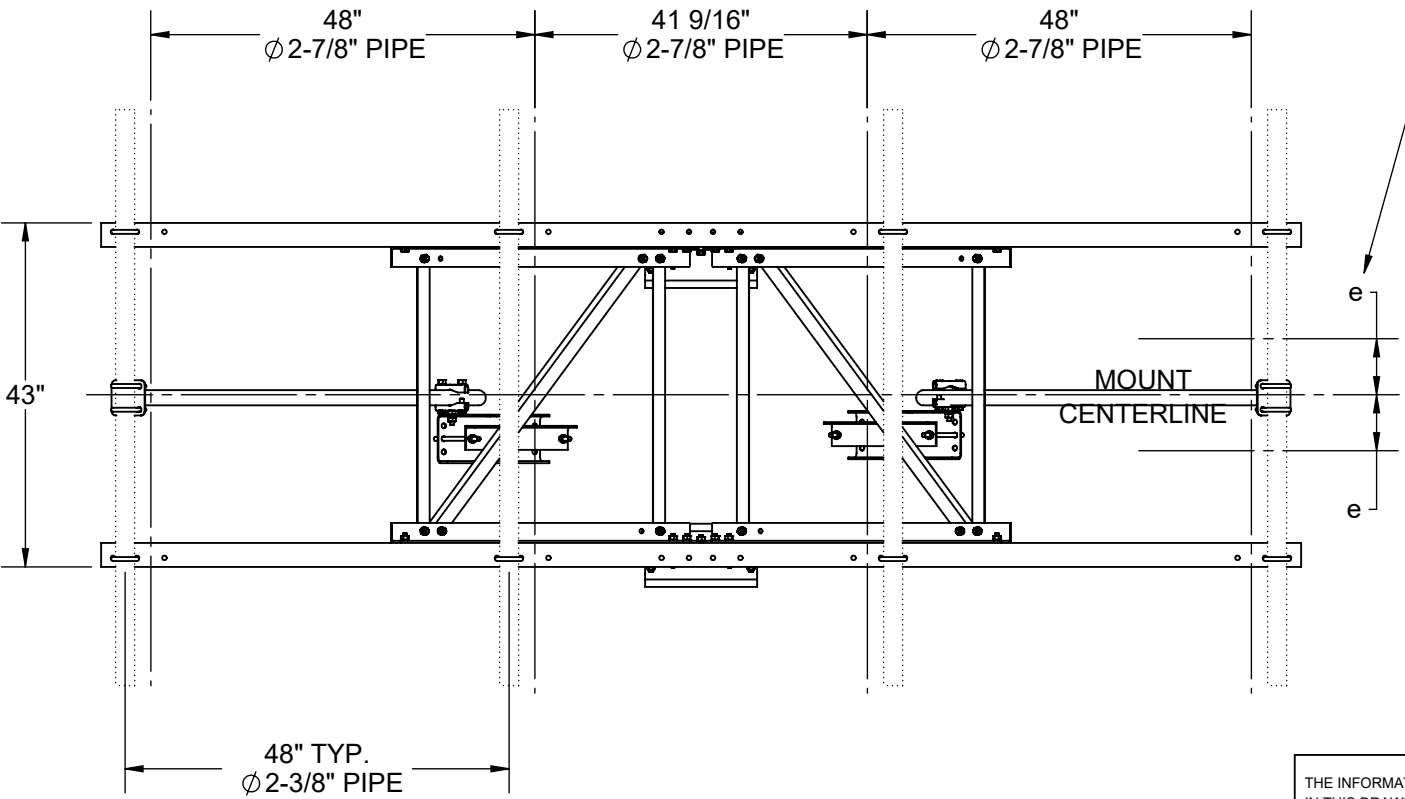
MAXIMUM AND MINIMUM
ANGLE LIMITATIONS OF
TIE BACK ARE +/- 20°



THE INFORMATION CONTAINED IN THIS DRAWING IS THE SOLE PROPERTY OF ALT. ANY REPRODUCTION IN PART OR WHOLE WITHOUT THE WRITTEN PERMISSION OF ALT IS PROHIBITED. 3/9/2018	 800-950-7960 FAX 940-455-2817 www.altfabrication.com sales@altfabrication.com	122 Leesley Lane Argyle, Texas 76226	TITLE:
			12' SECTOR FRAME ROTATABLE, HEAVY DUTY
FINISH: HDG	WEIGHT: 488.2	SCALE: NTS	DO NOT SCALE DRAWING
DWG. NO. 2116R-12HD		SHEET: 2 OF 3	
			REV. C



"e" DENOTES ALLOWABLE VERTICAL CENTERLINE OFFSET OF APPURTENANCE AND MOUNTING PIPE



SIDE VIEW
SWAY BARS REMOVED FOR CLARITY

THE INFORMATION CONTAINED IN THIS DRAWING IS THE SOLE PROPERTY OF ALT. ANY REPRODUCTION IN PART OR WHOLE WITHOUT THE WRITTEN PERMISSION OF ALT IS PROHIBITED.



800-950-7960
FAX 940-455-2817
www.altfabrication.com
sales@altfabrication.com

122 Leesley Lane
Argyle, Texas
76226

TITLE:
**12' SECTOR FRAME
ROTATABLE, HEAVY DUTY**

3/9/2018

DWG. NO.
2116R-12HD

REV.
C