
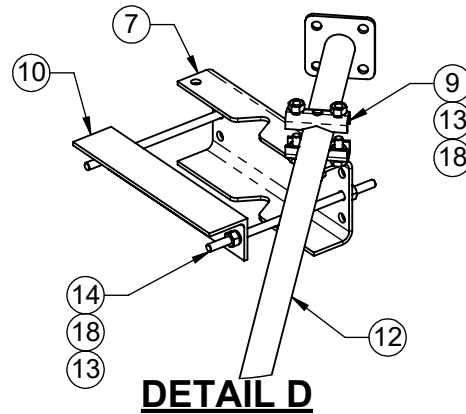
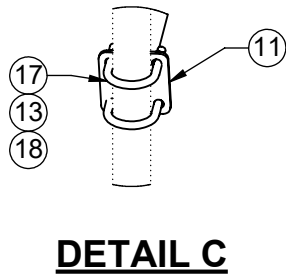
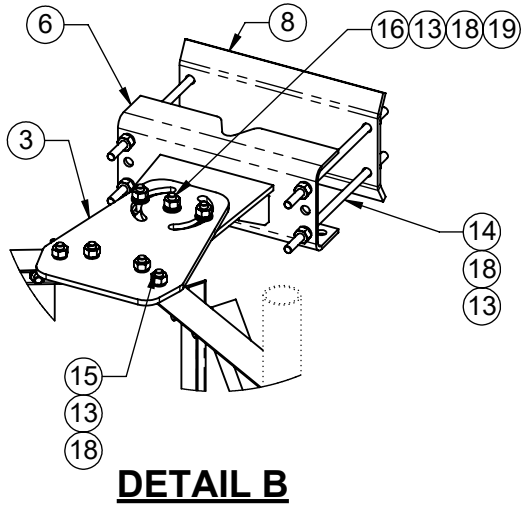
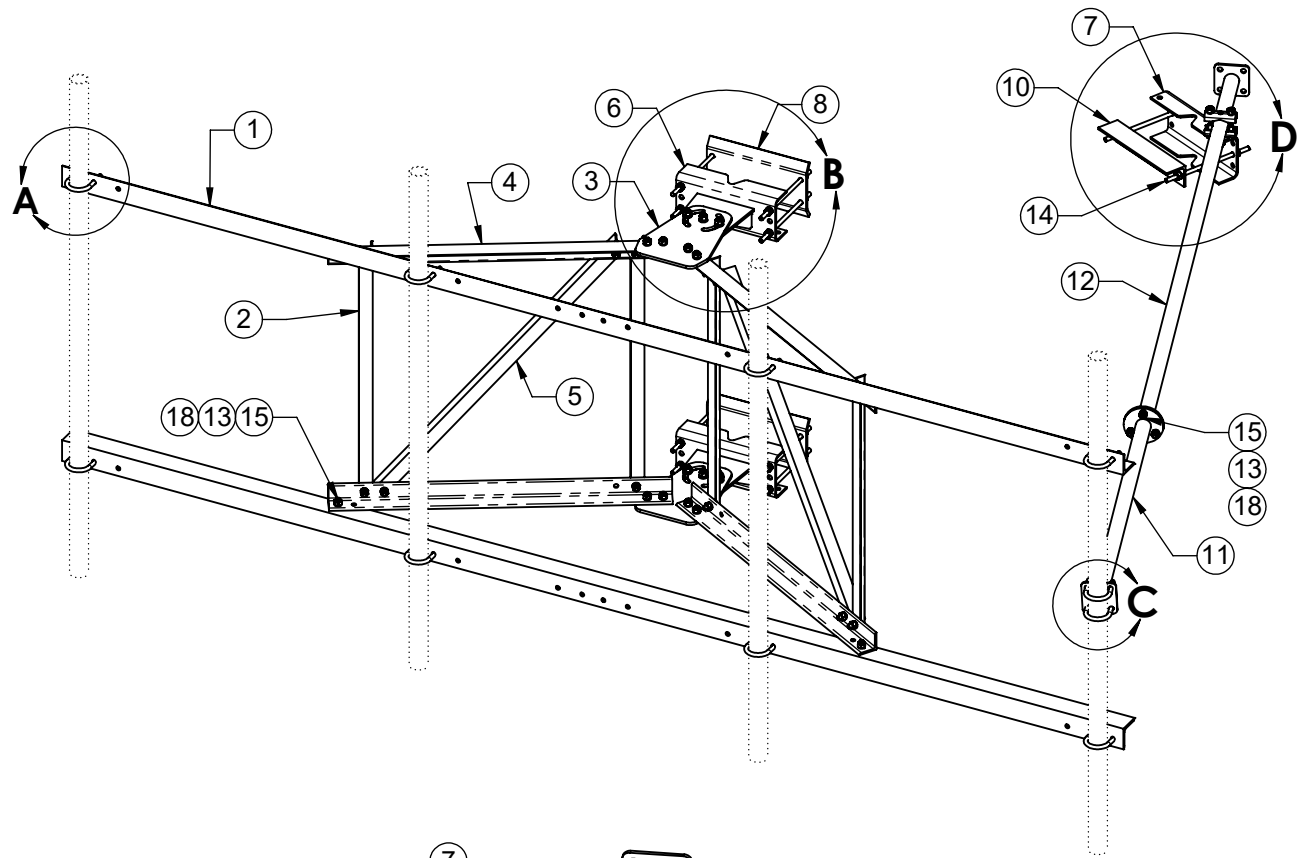
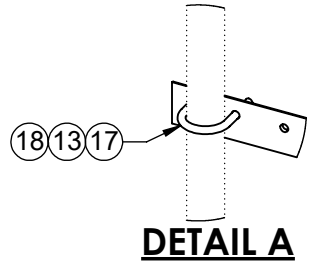



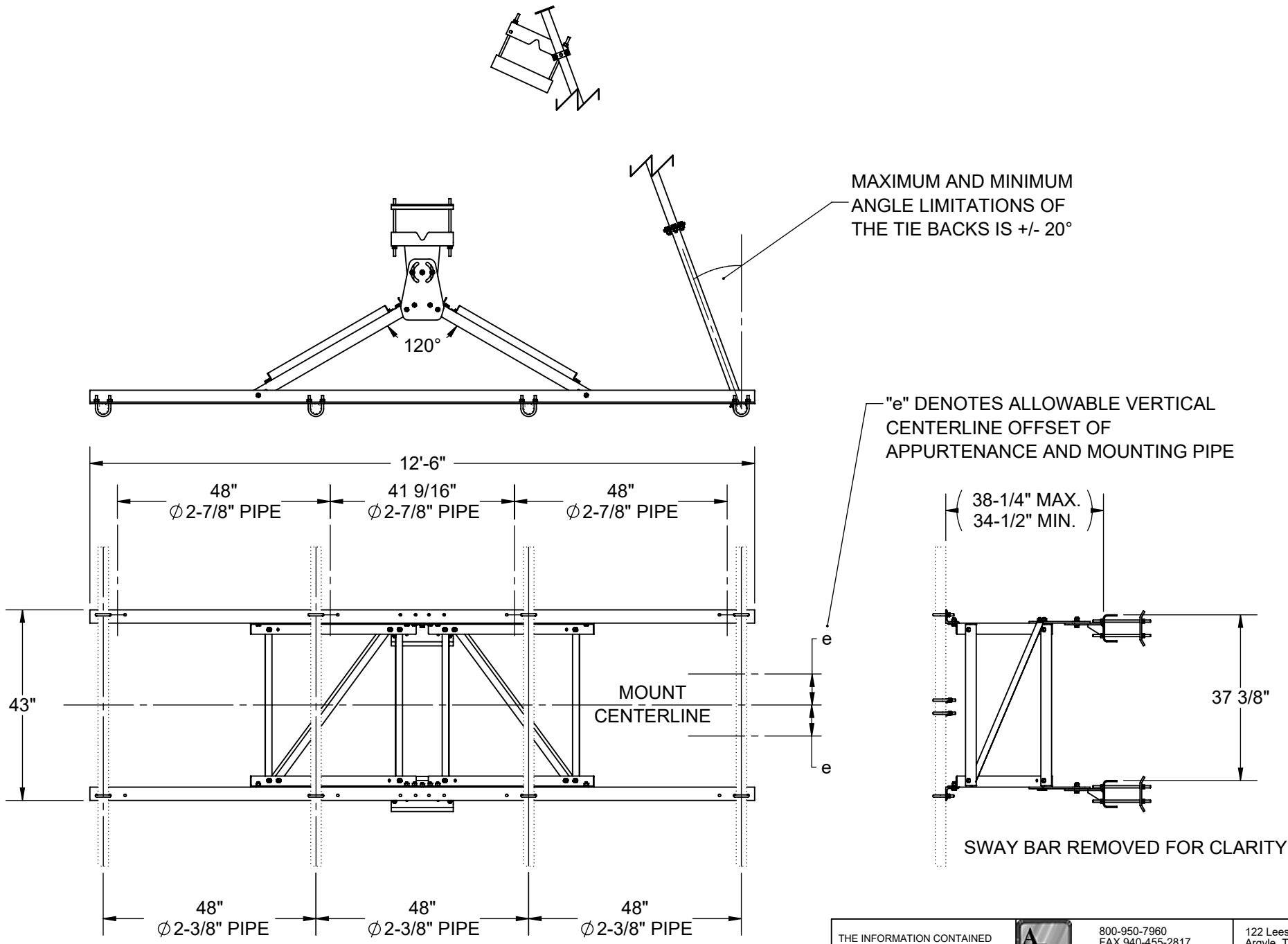
1. ALT FABRICATION MOUNT MODEL 2116R-12 IS CLASSIFIED AS M350R(750)-4[6] BASED ON THE TIA-5053 MOUNTING SYSTEM CLASSIFICATION STANDARD.
2. ITEM 20, ANTENNA MOUNT PIPE, TO BE ORDERED SEPERATELY.  
**NOTE:** MUST HAVE 4 PIPES FOR MOUNT TO MEET LOADING REQUIREMENTS.
3. FULL COMPLEMENT OF ANTENNA MOUNT PIPES SHOWN.
4. ITEM 18, FLAT WASHERS, TO BE INSTALLED AGAINST SLOTS ON ITEMS 3 AND 6.
5. INSTALL THE CENTER PIVOT BOLT/NUT/WASHER ASSEMBLY AT THE TOP AND BOTTOM TOWER LEG BRACKET WITH THE DESIRED TOWER TAPER THEN PARTIALLY TIGHTEN. ROTATE THE SECTOR FRAME TO DESIRED AZIMUTH POSITION. INSTALL OUTER (2) BOLT/NUT/WASHER THROUGH THE CURVED SLOTS IN ITEM 3 AT THE TOP AND BOTTOM.
6. TO ACHIEVE POSTED WIND RATING, FULLY TIGHTEN ALL (6) AZIMUTH PIVOT POINT BOLTS BY TURNING NUTS 1/3 PAST "SNUG TIGHT" CONDITION AS DEFINED BY AISC 9TH EDITION ASD AFTER FINAL AZIMUTH POSITIONING.
7. AZIMUTH ROTATION:  $\pm 60^\circ$  ON CENTER LINE OF TOWER LEG.
8. MAX TOWER LEG SIZE:  
ROUND LEG - 8" OD  
90° ANGLE LEG - 8" X 8"  
60° ANGLE LEG - 11" TIP TO TIP
9. ALLOWABLE VERTICAL CENTERLINE OFFSET, e = +/- 6in.

ITEM NO.	QTY.	PART NO.	DESCRIPTION
1	2	7000-2116R-2-12	MAIN FACE CHORD, L3" X 5/16"
2	4	7000-2116R-2-2	VERTICAL, FAN TRUSS, L1-3/4" X 3/16"
3	2	7000-2116R-2-3	TAPER BRACKET
4	4	7000-2116R-2-4	CHORD, FAN TRUSS, L2-1/2" X 1/4"
5	2	7000-2116R-2-5	DIAGONAL, FAN TRUSS, L1-3/4" X 3/16"
6	2	7000-2120-TB	WELDMENT, TOWER LEG BRACKET, UNIVERSAL
7	1	7000-2120-TB.1	TAPER BRACKET LEG ADAPTOR
8	2	7000-2120-AA.2	BACKPLATE, ANGLE LEG ADAPTER,
9	1	7000-2120-KD.2	SWAY BAR CLAMP ASSEMBLY
10	1	7000-2120-KD.3	CLAMP ANGLE 1/4" X 3" X 14"
11	1	7000-2120-KD.42	1.9"OD X 42" SWAY BAR WELDMENT
12	1	7000-2120-KD.84	1.9"OD X 84" SWAY BAR WELDMENT
13	76	4650G-BULK	NUT, 1/2" HEX, A563 GALV
14	10	4375G-13	1/2" X 13" ALL THREAD
15	27	4454G-BULK	BOLT, 1/2" x 1-1/2" LG HEX, A325 GALV.
16	6	4455G	BOLT, 1/2" X 2" LG HEX, A325 GLAV.
17	10	4499-4G	U-BOLT, 2 3/8" OD PIPE, GALV 1/2" DIA
18	82	4754G-BULK	WASHER, 1/2" RGLR LOCK, GALV
19	12	4750G-BULK	WASHER, 1/2" NARROW, GALV
20	4	2125-XX	2-3/8" OD ANTENNA MOUNT PIPE
21	10	4499-2G	1/2" GALV U-BOLT FOR 2-7/8" OD (NOT SHOWN)

THE INFORMATION CONTAINED IN THIS DRAWING IS THE SOLE PROPERTY OF ALT. ANY REPRODUCTION IN PART OR WHOLE WITHOUT THE WRITTEN PERMISSION OF ALT IS PROHIBITED.  5/17/2018	CAD GENERATED DRAWING, DO NOT MANUALLY UPDATE		 800-950-7960 FAX 940-455-2817 www.altfabrication.com sales@altfabrication.com	122 Leesley Lane Argyle, Texas 76226		
	APPROVALS			DATE	TITLE:	
	DRAWN	SF		05/06/09	<b>12' SECTOR FRAME ROTATABLE</b>	
	CHECKED	TU		08/24/09		
	ENGINEER	RB		08/25/09	DWG. NO.	
ISSUED			<b>2116R-12</b>			
FINISH: HDG	WEIGHT: 433.2	SCALE: NTS		DO NOT SCALE DRAWING	SHEET: 1 OF 3	
					REV. <b>E</b>	



<p>THE INFORMATION CONTAINED IN THIS DRAWING IS THE SOLE PROPERTY OF ALT. ANY REPRODUCTION IN PART OR WHOLE WITHOUT THE WRITTEN PERMISSION OF ALT IS PROHIBITED.</p> <p>5/17/2018</p>	 <p>800-950-7960 FAX 940-455-2817 www.altfabrication.com sales@altfabrication.com</p>	<p>122 Leesley Lane Argyle, Texas 76226</p>		
		<p>TITLE: <b>12' SECTOR FRAME ROTATABLE</b></p>		
<p>FINISH: HDG</p>	<p>WEIGHT: 433.2</p>	<p>SCALE: NTS</p>	<p>DO NOT SCALE DRAWING</p>	<p>SHEET: 2 OF 3</p>
			<p>REV. <b>E</b></p>	



SWAY BAR REMOVED FOR CLARITY

THE INFORMATION CONTAINED IN THIS DRAWING IS THE SOLE PROPERTY OF ALT. ANY REPRODUCTION IN PART OR WHOLE WITHOUT THE WRITTEN PERMISSION OF ALT IS PROHIBITED.



800-950-7960  
 FAX 940-455-2817  
 www.altfabrication.com  
 sales@altfabrication.com

122 Leesley Lane  
 Argyle, Texas  
 76226

TITLE:  
**12' SECTOR FRAME  
 ROTATABLE**

5/17/2018

DWG. NO.  
**2116R-12**

REV.  
**E**