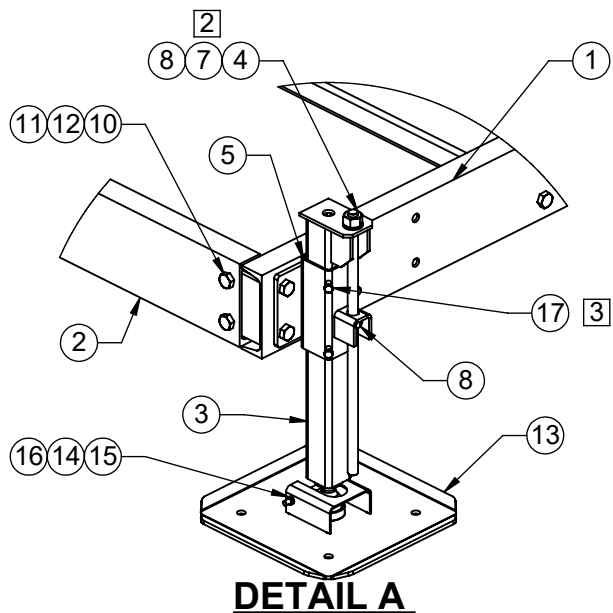


DETAIL B

- 1. GRATING AND GRATING CLIPS OMITTED FOR CLARITY
- 2. LEG LENGTHS ARE ADJUSTED BY TURNING ITEM 4 NUT AFTER ITEM 8 NUT IS INSTALLED
- 3. INSTALL AND TIGHTEN ITEM 17 SET SCREWS AFTER FINAL LEG ADJUSTMENTS HAVE BEEN MADE.



DETAIL A

ITEM NO.	QTY.	PART NO.	DESCRIPTION
1	2	7000-2110J-10.1	C7 SIDE CHANNEL
2	5	7000-2110J-10.3.6	CHANNEL, (C7 X 9.8 X 67-5/16" LG)
3	6	7000-2110J-1	INNER JACK SLEEVE WELDMENT
4	6	7000-2110J-2	3/4" ALL-THREAD/NUT WELDMENT
5	6	7000-2110J-3	JACK LEG BRACKET
6	10	7000-2110J-15.3	C7 CHANNEL BRACKET
7	4	4770G	WASHER, 3/4" NARROW, GALV
8	4	4670G-BULK	NUT, 3/4" HEX, A563 GALV
9	60	2199	GRATING CLIP (NOT SHOWN)
10	52	4467G-2	BOLT, 5/8" X 2" LG HEX, A325 GALV
11	52	4764G-BULK	5/8" GALV LOCK WASHER
12	52	4660G-BULK	5/8" GALV HEX NUT
13	6	7000-2110J-JP	JACKPAD WELDMENT (15.5" SQ)
14	6	4310G-612	3/8" DIA X 6-1/2" LG GALV ALL-THREAD
15	12	4620G-BULK	NUT, 3/8" HEX, GALV
16	6	4724G-BULK	3/8" LOCK WASHER, GALV
17	12	4423G-BULK	BOLT, 3/8"X1" LG HEX, GALV
18	3	7000-2110J-G24-120	1" X 1/8" PLATFORM GRATING 24" X 120"

THE INFORMATION CONTAINED IN THIS DRAWING IS THE SOLE PROPERTY OF ALT. ANY REPRODUCTION IN PART OR WHOLE WITHOUT THE WRITTEN PERMISSION OF ALT IS PROHIBITED.

7/18/2018

FINISH: HDG WEIGHT: 1101.71

CAD GENERATED DRAWING, DO NOT MANUALLY UPDATE

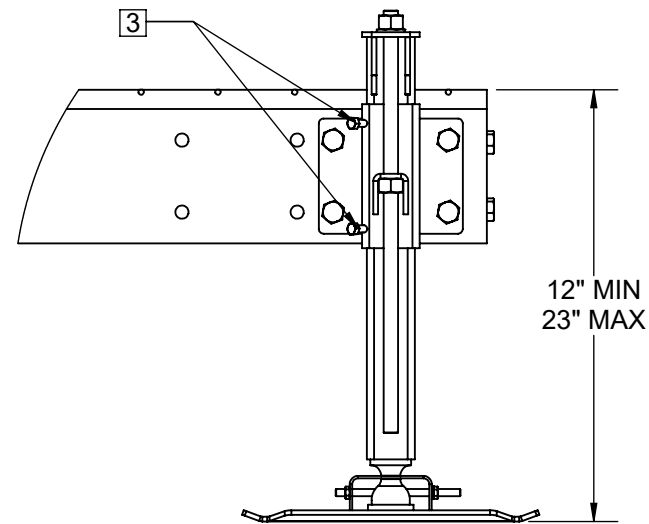
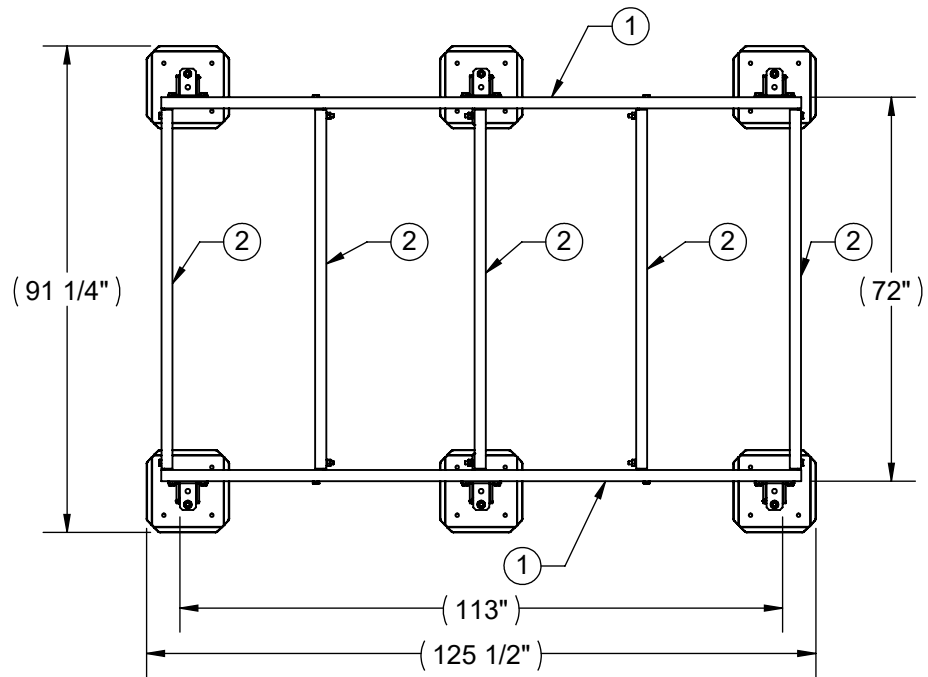


800-950-7960
FAX 940-455-2817
www.altfabrication.com
sales@altfabrication.com

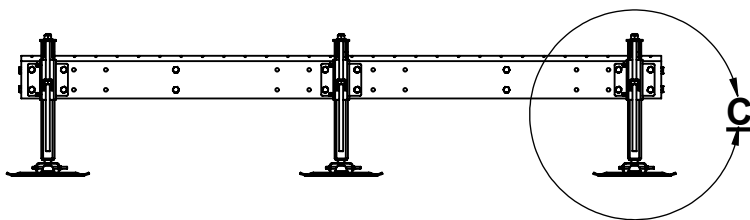
122 Leesley Lane
Argyle, Texas
76226


APPROVALS	DATE
DRAWN SF	06/25/10
CHECKED CH	06/25/10
ENGINEER	
ISSUED	

TITLE:	PLATFORM
DWG. NO.	2110J-610
SCALE: NTS	DO NOT SCALE DRAWING
SHEET: 1 OF 2	REV. A



DETAIL C



<p>THE INFORMATION CONTAINED IN THIS DRAWING IS THE SOLE PROPERTY OF ALT. ANY REPRODUCTION IN PART OR WHOLE WITHOUT THE WRITTEN PERMISSION OF ALT IS PROHIBITED.</p> <p>7/18/2018</p>	 <p>800-950-7960 FAX 940-455-2817 www.altfabrication.com sales@altfabrication.com</p>	<p>122 Leesley Lane Argyle, Texas 76226</p>			
			<p>TITLE: PLATFORM 10' X 10'</p>		
<p>FINISH: HDG</p>	<p>WEIGHT: 1101.71</p>	<p>SCALE: NTS</p>	<p>DO NOT SCALE DRAWING</p>	<p>SHEET: 2 OF 2</p>	<p>REV. A</p>