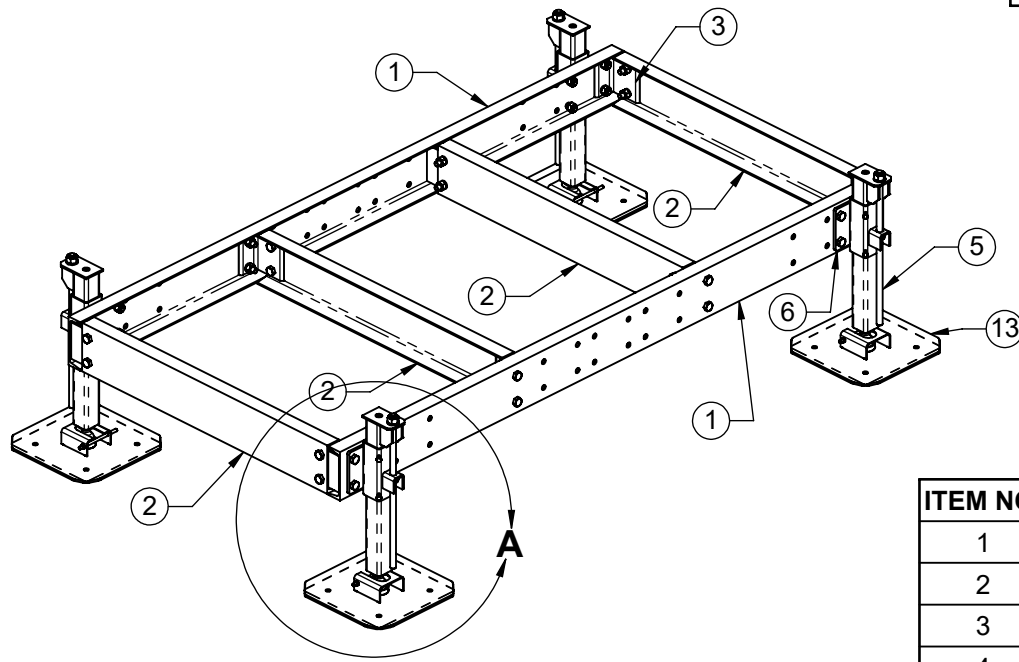
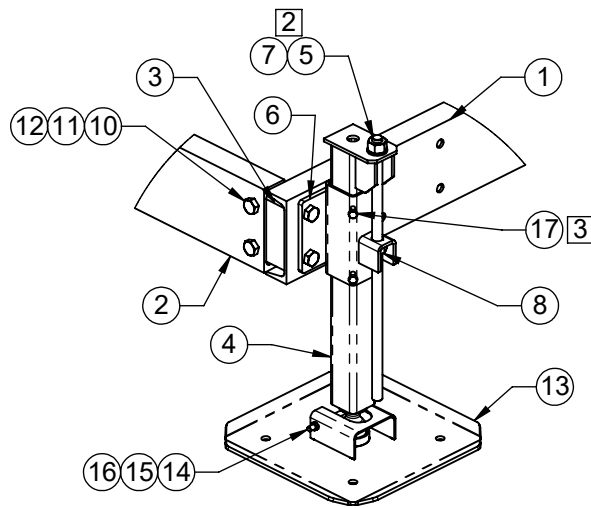


REVISIONS			
REV.	DESCRIPTION	DATE	APPROVED
C	UPDATED DRAWING FOR LEG BRACKETS	07/31/18	SF

PART NO. 2110J-48



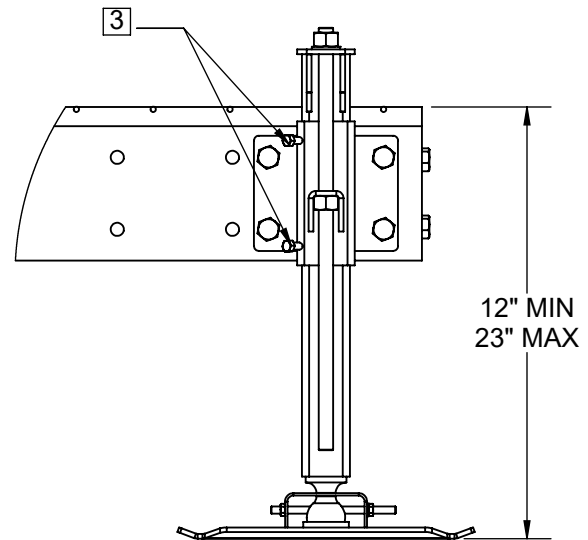
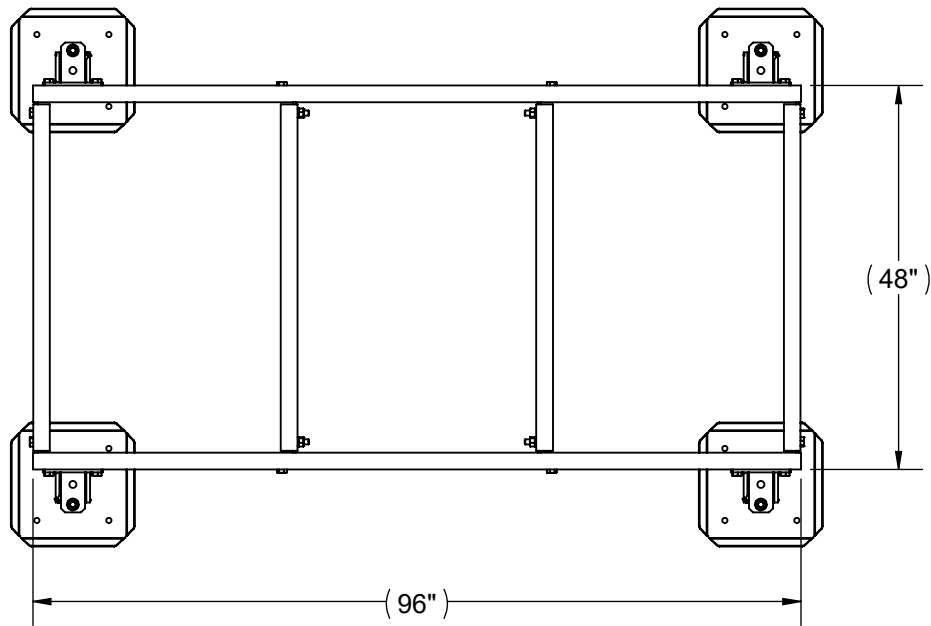
1. GRATING AND GRATING CLIPS OMITTED FOR CLARITY
- 2 LEG LENGTHS ARE ADJUSTED BY TURNING ITEM 5 NUT WELDMENT AFTER ITEM 8 NUT IS INSTALLED
- 3 INSTALL AND TIGHTEN ITEM 17 SET SCREWS AFTER FINAL LEG ADJUSTMENTS HAVE BEEN MADE.



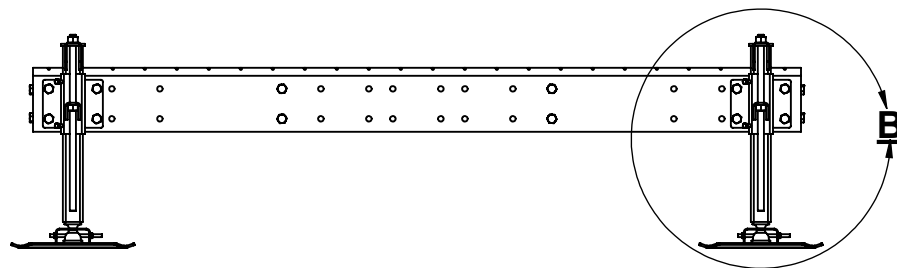
DETAIL A

ITEM NO.	QTY.	PART NO.	DESCRIPTION
1	2	7000-2110J-8.1	C7 SIDE CHANNEL
2	4	7000-2110J-10.4	C7X9.8 C-CHANNEL (43-5/16" LG)
3	8	7000-2110J-15.3	C7 CHANNEL BRACKET
4	4	7000-2110J-1	INNER JACK SLEEVE WELDMENT
5	4	7000-2110J-2	3/4" ALL-THREAD/NUT WELDMENT
6	4	7000-2110J-3	JACK LEG BRACKET
7	4	4770G	WASHER, 3/4" NARROW, GALV
8	4	4670G-BULK	NUT, 3/4" HEX, A563 GALV
9	16	2199	GRATING CLIP (NOT SHOWN)
10	40	4467G-2	BOLT, 5/8" X 2" LG HEX, A325 GALV
11	40	4764G-BULK	5/8" GALV LOCK WASHER
12	40	4660G-BULK	5/8" GALV HEX NUT
13	4	7000-2110J-JP	JACKPAD WELDMENT (15.5" SQ)
14	4	4310G-612	3/8" DIA X 6-1/2" LG GALV ALL-THREAD
15	8	4620G-BULK	NUT, 3/8" HEX, GALV
16	4	4724G-BULK	3/8" LOCK WASHER, GALV
17	8	4423G-BULK	BOLT, 3/8"X1"LG HEX, GALV
18	2	7000-2110J-G24-96	1" X 1/8" PLATFORM GRATING 2' X 96"

THE INFORMATION CONTAINED IN THIS DRAWING IS THE SOLE PROPERTY OF ALT. ANY REPRODUCTION IN PART OR WHOLE WITHOUT THE WRITTEN PERMISSION OF ALT IS PROHIBITED. 7/31/2018	CAD GENERATED DRAWING, DO NOT MANUALLY UPDATE		 800-950-7960 FAX 940-455-2817 www.altfabrication.com sales@altfabrication.com	122 Leesley Lane Argyle, Texas 76226			
	APPROVALS			DATE	TITLE:		
	DRAWN	JMD		01/26/06	PLATFORM 4' X 8'		
	CHECKED	JMD		01/30/06			
ENGINEER	JMD	01/30/06	DWG. NO.		2110J-48		
ISSUED	JMD	01/31/06	SCALE: NTS				
FINISH: HDG		WEIGHT: 523.27		DO NOT SCALE DRAWING		SHEET: 1 OF 3	REV. C



DETAIL B



THE INFORMATION CONTAINED IN THIS DRAWING IS THE SOLE PROPERTY OF ALT. ANY REPRODUCTION IN PART OR WHOLE WITHOUT THE WRITTEN PERMISSION OF ALT IS PROHIBITED.

7/31/2018



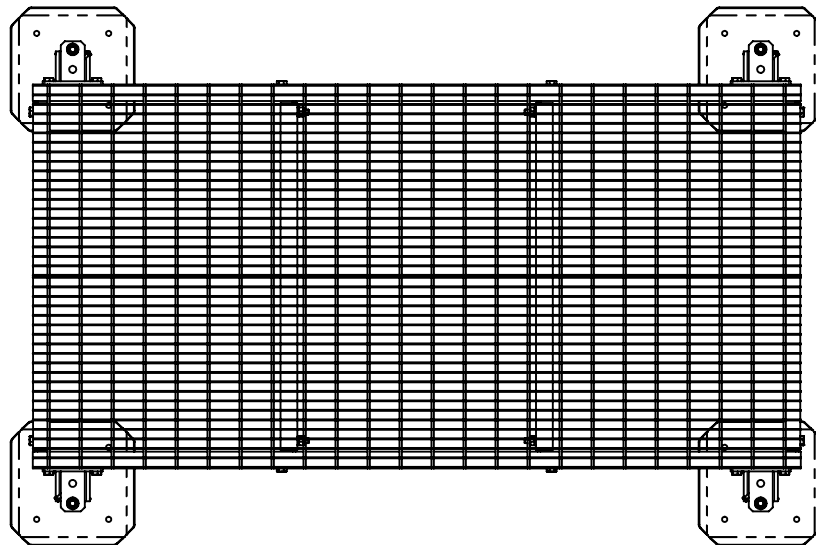
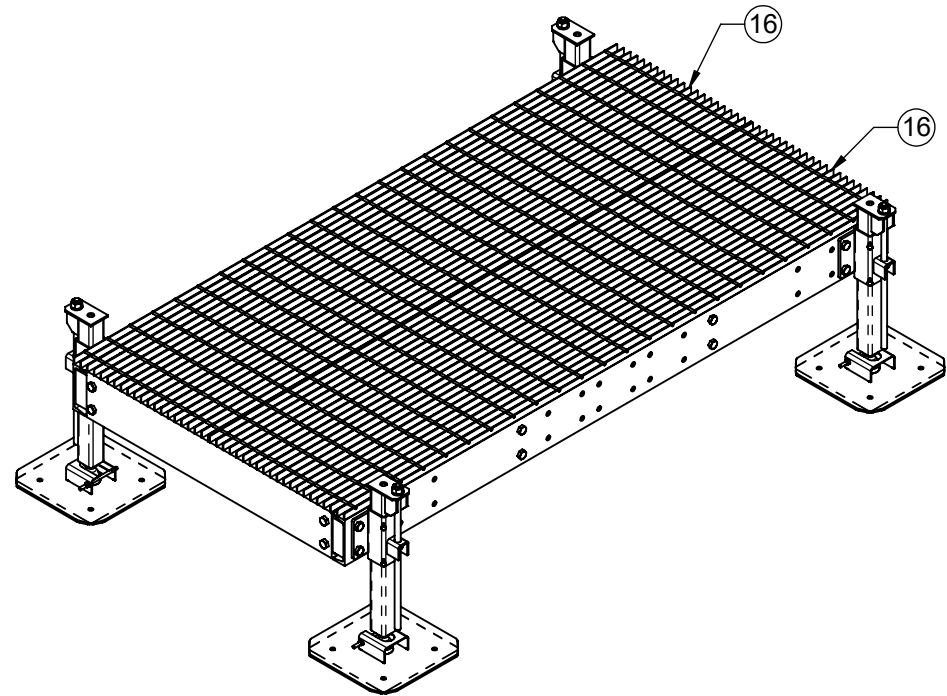
800-950-7960
 FAX 940-455-2817
 www.altfabrication.com
 sales@altfabrication.com


122 Leesley Lane
 Argyle, Texas
 76226

TITLE:
PLATFORM
4' X 8'

DWG. NO.
2110J-48

REV.
C



<p>THE INFORMATION CONTAINED IN THIS DRAWING IS THE SOLE PROPERTY OF ALT. ANY REPRODUCTION IN PART OR WHOLE WITHOUT THE WRITTEN PERMISSION OF ALT IS PROHIBITED.</p> <p>7/31/2018</p>	 <p>800-950-7960 FAX 940-455-2817 www.altfabrication.com sales@altfabrication.com</p>	<p>122 Leesley Lane Argyle, Texas 76226</p>			
			<p>TITLE: PLATFORM 4' X 8'</p>		
<p>FINISH: HDG</p>	<p>WEIGHT: 523.27</p>	<p>SCALE: NTS</p>	<p>DO NOT SCALE DRAWING</p>	<p>SHEET: 3 OF 3</p>	<p>REV. C</p>