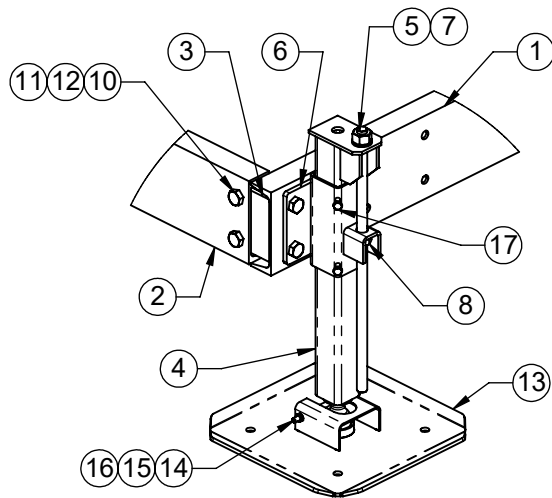


- 1. GRATING AND GRATING CLIPS OMITTED FOR CLARITY
- 2. LEG LENGTHS ARE ADJUSTED BY TURNING ITEM 5 NUT WELDMENT AFTER ITEM 8 NUT IS INSTALLED
- 3. INSTALL AND TIGHTEN ITEM 17 SET SCREWS AFTER FINAL LEG ADJUSTMENTS HAVE BEEN MADE.



DETAIL A

ITEM NO.	QTY.	PART NO.	DESCRIPTION
1	2	7000-2110J-10.1	C7 SIDE CHANNEL
2	5	7000-2110J-10.4	C7X9.8 C-CHANNEL (43-5/16" LG)
3	10	7000-2110J-15.3	C7 CHANNEL BRACKET
4	6	7000-2110J-1	INNER JACK SLEEVE WELDMENT
5	6	7000-2110J-2	3/4" ALL-THREAD/NUT WELDMENT
6	6	7000-2110J-3	JACK LEG BRACKET
7	6	4770G	WASHER, 3/4" NARROW, GALV
8	6	4670G-BULK	NUT, 3/4" HEX, A563 GALV
9	12	2199	GRATING CLIP (NOT SHOWN)
10	52	4467G-2	BOLT, 5/8" X 2" LG HEX, A325 GALV
11	52	4764G-BULK	5/8" GALV LOCK WASHER
12	52	4660G-BULK	5/8" GALV HEX NUT
13	6	7000-2110J-JP	JACKPAD WELDMENT (15.5" SQ)
14	6	4310G-612	3/8" DIA X 6-1/2" LG GALV ALL-THREAD
15	12	4620G-BULK	NUT, 3/8" HEX, GALV
16	6	4724G-BULK	3/8" LOCK WASHER, GALV
17	12	4423G-BULK	BOLT, 3/8" X 1" LG HEX, GALV
18	2	7000-2110J-G24-120	1" X 1/8" PLATFORM GRATING 24" X 120"

THE INFORMATION CONTAINED IN THIS DRAWING IS THE SOLE PROPERTY OF ALT. ANY REPRODUCTION IN PART OR WHOLE WITHOUT THE WRITTEN PERMISSION OF ALT IS PROHIBITED.

7/30/2018

FINISH: HDG WEIGHT: 698.78

CAD GENERATED DRAWING, DO NOT MANUALLY UPDATE

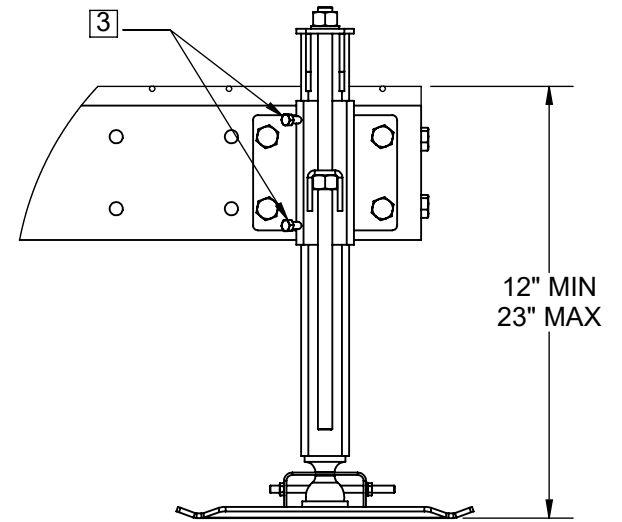
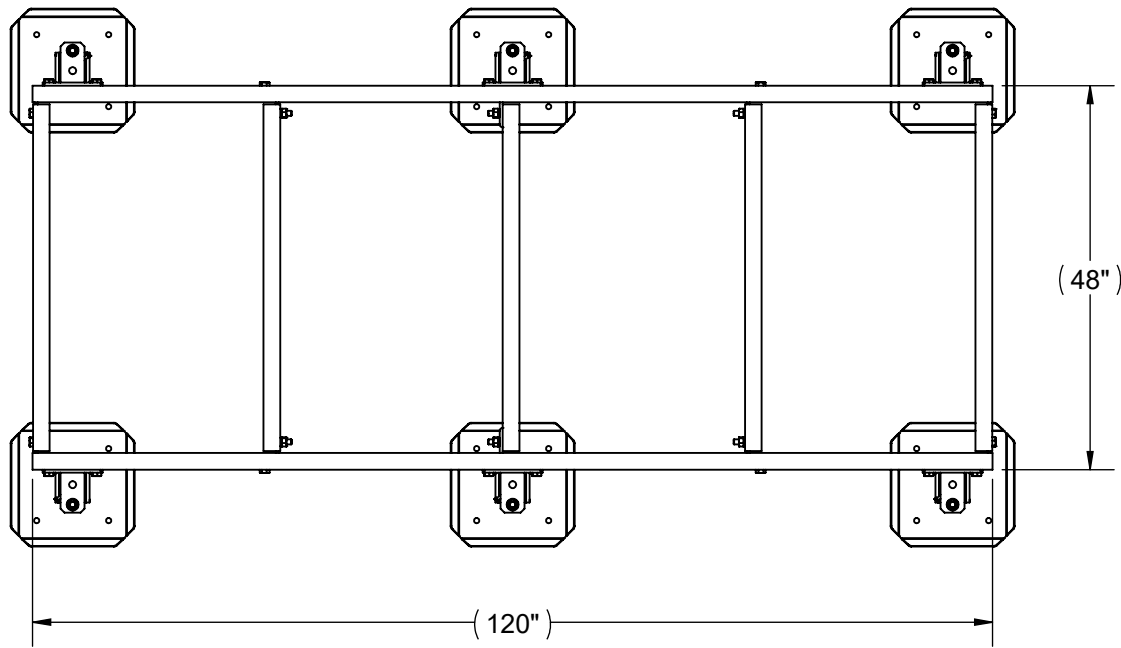
APPROVALS	DATE
DRAWN SF	05/10/11
CHECKED TU	05/10/11
ENGINEER	
ISSUED	



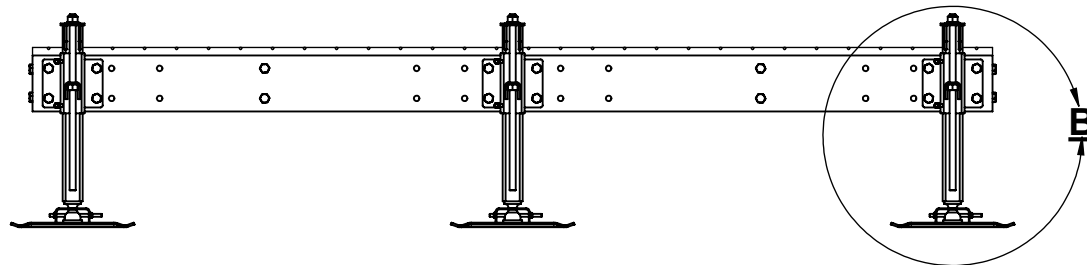
800-950-7960
FAX 940-455-2817
www.altfabrication.com
sales@altfabrication.com


122 Leesley Lane
Argyle, Texas
76226

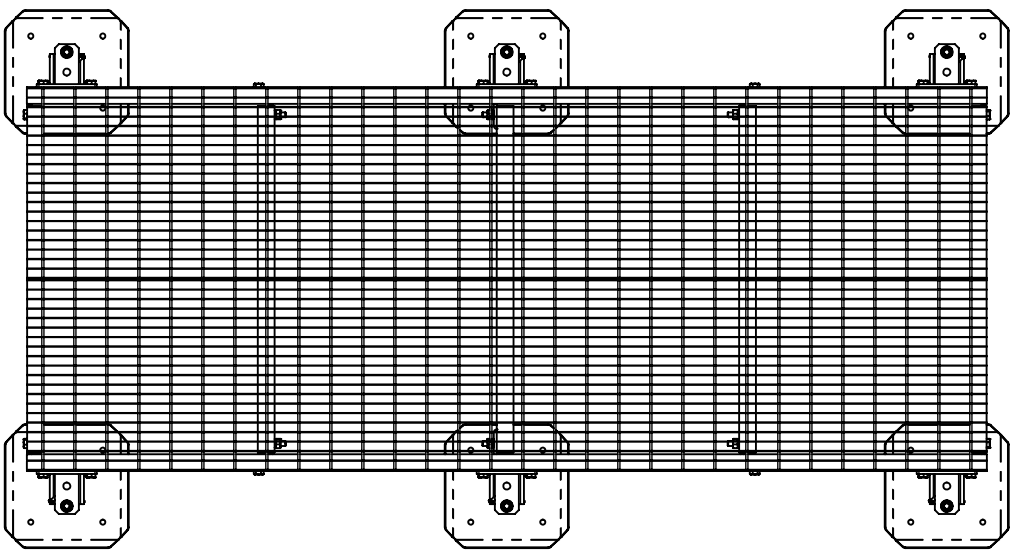
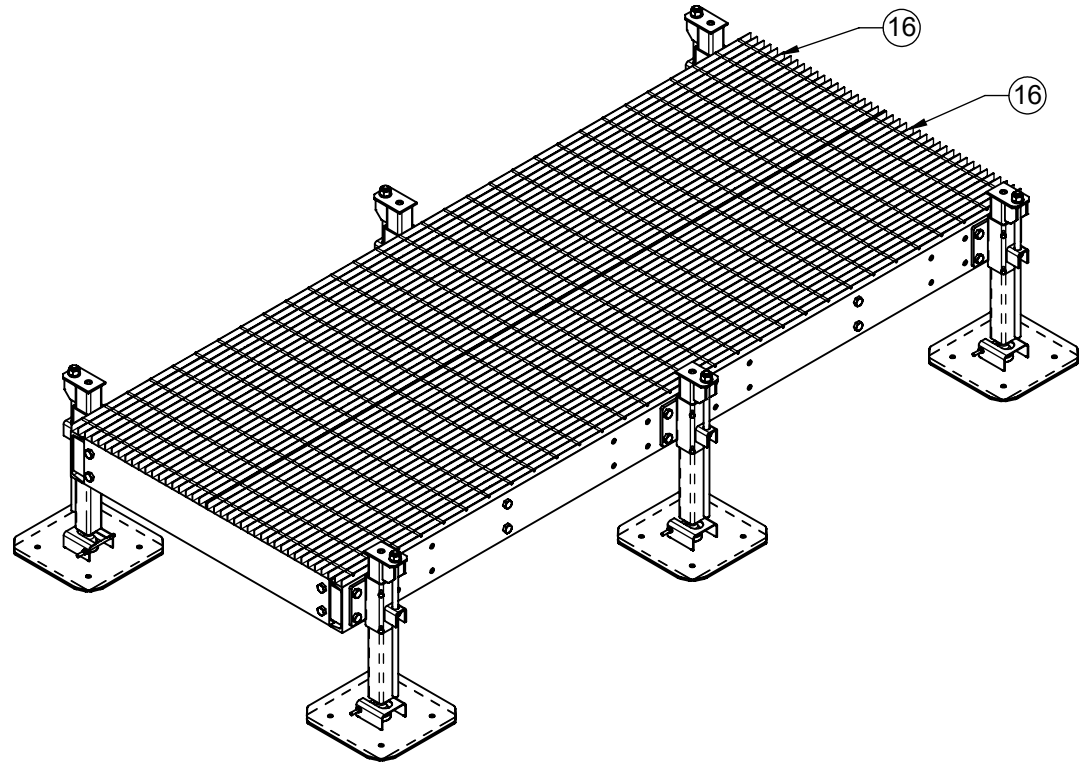
TITLE:	REV.
PLATFORM 4' X 10'	B
DWG. NO. 2110J-410	
SCALE: NTS	DO NOT SCALE DRAWING SHEET: 1 OF 3



DETAIL B



<p>THE INFORMATION CONTAINED IN THIS DRAWING IS THE SOLE PROPERTY OF ALT. ANY REPRODUCTION IN PART OR WHOLE WITHOUT THE WRITTEN PERMISSION OF ALT IS PROHIBITED.</p> <p>7/30/2018</p>	 <p>800-950-7960 FAX 940-455-2817 www.altfabrication.com sales@altfabrication.com</p>	<p>122 Leesley Lane Argyle, Texas 76226</p>	
	<p>TITLE: PLATFORM 4' X 10'</p>		
	<p>FINISH: HDG</p>	<p>WEIGHT: 698.78</p>	<p>SCALE: NTS</p>
<p>DWG. NO. 2110J-410</p>		<p>DO NOT SCALE DRAWING</p>	<p>SHEET: 2 OF 3</p>
			<p>REV. B</p>



THE INFORMATION CONTAINED
IN THIS DRAWING IS THE SOLE
PROPERTY OF ALT. ANY
REPRODUCTION IN PART OR
WHOLE WITHOUT THE WRITTEN
PERMISSION OF ALT IS
PROHIBITED.

7/30/2018



800-950-7960
FAX 940-455-2817
www.altfabrication.com
sales@altfabrication.com

122 Leesley Lane
Argyle, Texas
76226

TITLE:
PLATFORM
4' X 10'

DWG. NO.
2110J-410

REV.
B