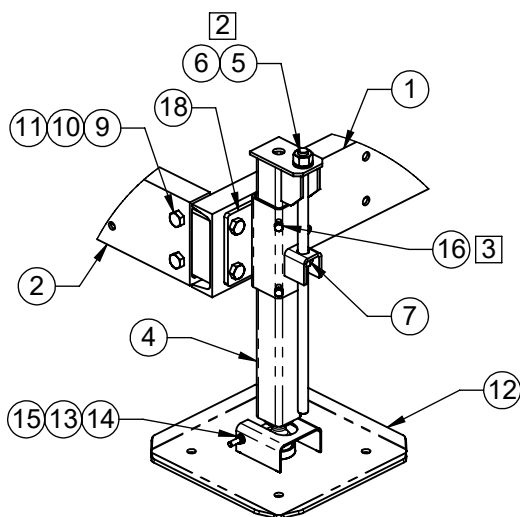


- 1. GRATING AND GRATING CLIPS OMITTED FOR CLARITY
- 2 LEG LENGTHS ARE ADJUSTED BY TURNING ITEM 5 NUT AFTER ITEM 7 NUT IS INSTALLED
- 3 INSTALL AND TIGHTEN ITEM 16 SET SCREWS AFTER FINAL LEG ADJUSTMENTS HAVE BEEN MADE.



**DETAIL A**

ITEM NO.	QTY.	PART NO.	DESCRIPTION
1	2	7000-2110J-12.1	CHANNEL, SIDE, (C7X9.8 X144" LG)
2	2	7000-2110J-10.3	CHANNEL, (C7 X 9.8 X 115-5/16" LG)
3	3	7000-2110J-10.5	CHANNEL, (C7 X 9.8 X 115-5/16" LG)
4	6	7000-2110J-1	INNER JACK SLEEVE WELDMENT
5	6	7000-2110J-2	3/4" ALL-THREAD/NUT WELDMENT
6	6	4770G	WASHER, 3/4" NARROW, GALV
7	6	4670G-BULK	NUT, 3/4" HEX, A563 GALV
8	50	2199	GRATING CLIP (NOT SHOWN)
9	52	4467G-2	BOLT, 5/8" X 2" LG HEX, A325 GALV
10	52	4764G-BULK	5/8" GALV LOCK WASHER
11	52	4660G-BULK	5/8" GALV HEX NUT
12	6	7000-2110J-JP	JACKPAD WELDMENT (15.5" SQ)
13	6	4310G-612	3/8" DIA X 6-1/2" LG GALV ALL-THREAD
14	12	4620G-BULK	NUT, 3/8" HEX, GALV
15	6	4724G-BULK	3/8" LOCK WASHER, GALV
16	12	4423G-BULK	BOLT, 3/8"X1"LG HEX, GALV
17	10	7000-2110J-15.3	C7 CHANNEL BRACKET
18	6	7000-2110J-3	JACK LEG BRACKET
19	5	7000-2110J-G24-12	1" X 1/8" PLATFORM GRATING 24" X 12'

THE INFORMATION CONTAINED IN THIS DRAWING IS THE SOLE PROPERTY OF ALT. ANY REPRODUCTION IN PART OR WHOLE WITHOUT THE WRITTEN PERMISSION OF ALT IS PROHIBITED.

7/26/2018

FINISH: NONE WEIGHT: 1639.65

CAD GENERATED DRAWING, DO NOT MANUALLY UPDATE

APPROVALS	DATE
DRAWN SF	03/10/14
CHECKED	
ENGINEER	
ISSUED	

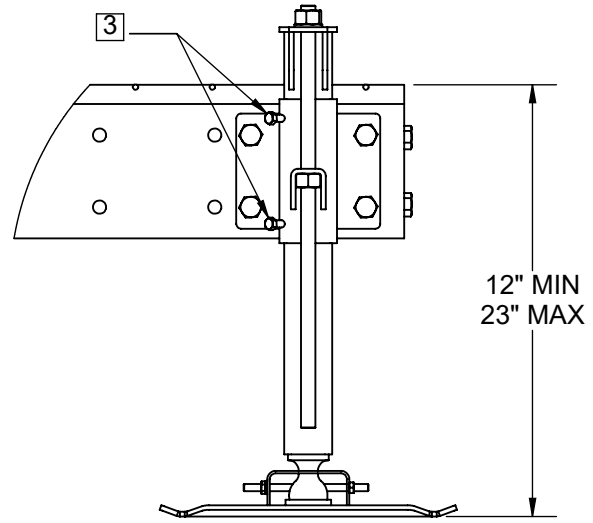
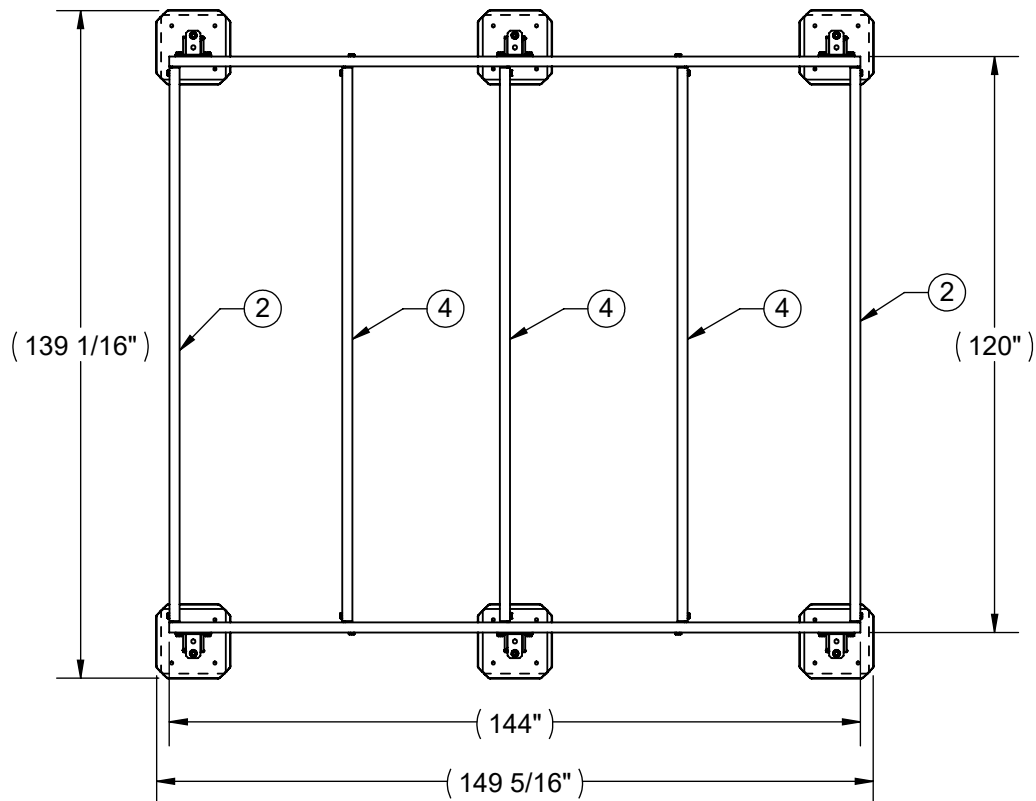


800-950-7960  
FAX 940-455-2817  
www.altfabrication.com  
sales@altfabrication.com

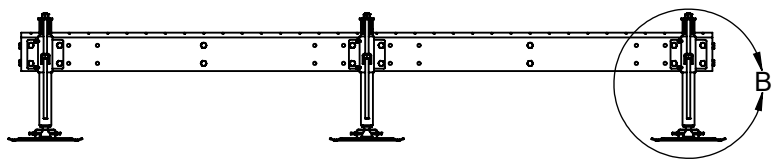
122 Leesley Lane  
Argyle, Texas  
76226


TITLE:	PLATFORM 10' X 12'
DWG. NO.	2110J-1012
SCALE: NTS	DO NOT SCALE DRAWING
SHEET: 1 OF 3	

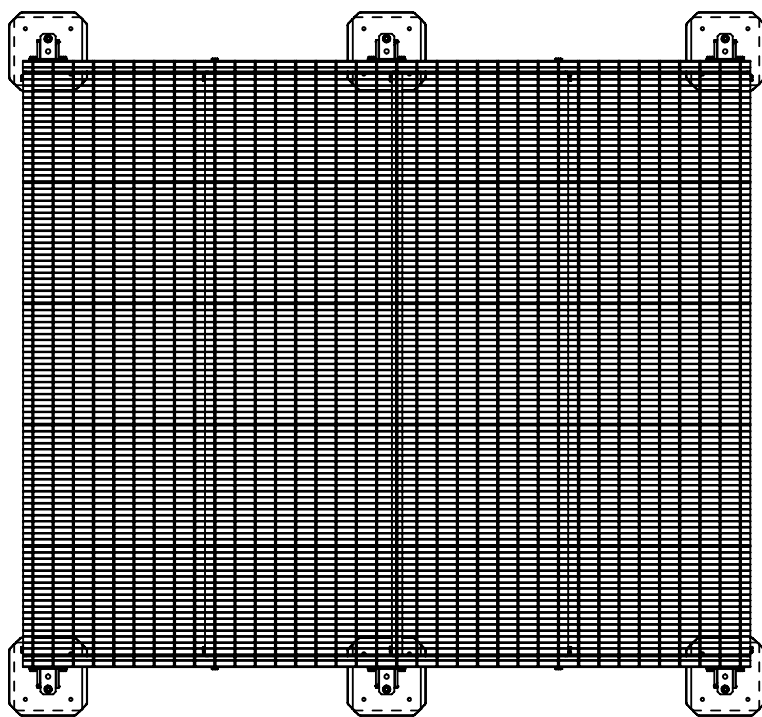
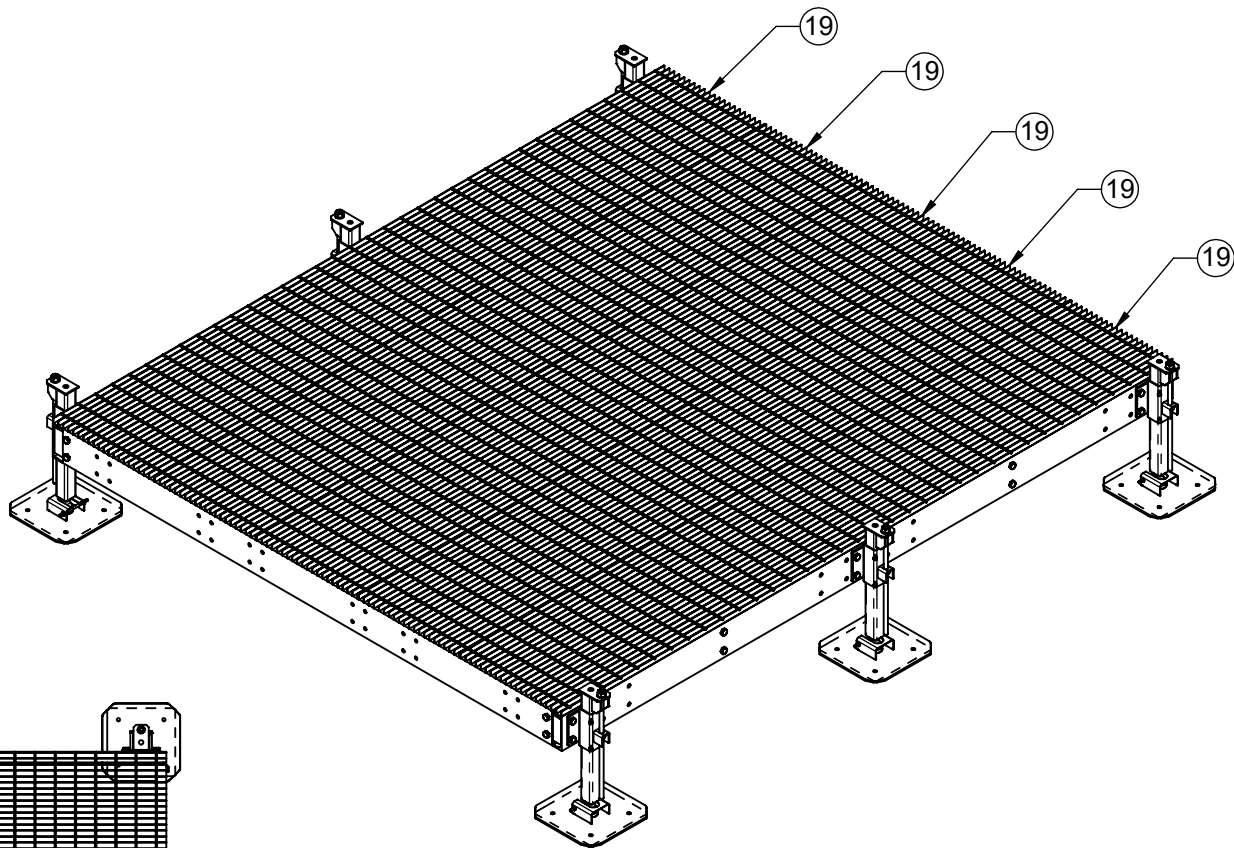
REV. B




**DETAIL B**



<p>THE INFORMATION CONTAINED IN THIS DRAWING IS THE SOLE PROPERTY OF ALT. ANY REPRODUCTION IN PART OR WHOLE WITHOUT THE WRITTEN PERMISSION OF ALT IS PROHIBITED.</p> <p>7/26/2018</p>	<p>CAD GENERATED DRAWING, DO NOT MANUALLY UPDATE</p>		 <p>800-950-7960 FAX 940-455-2817 www.altfabrication.com sales@altfabrication.com</p>	<p>122 Leesley Lane Argyle, Texas 76226</p>	
	APPROVALS	DATE			TITLE:
	DRAWN	SF	03/10/14	<p><b>PLATFORM</b> 10' X 12'</p>	
	CHECKED			<p>DWG. NO. <b>2110J-1012</b></p>	
	ENGINEER			SCALE: NTS	DO NOT SCALE DRAWING
ISSUED			SHEET: 2 OF 3		
FINISH: NONE	WEIGHT: 1639.65		REV. <b>B</b>		



<p>THE INFORMATION CONTAINED IN THIS DRAWING IS THE SOLE PROPERTY OF ALT. ANY REPRODUCTION IN PART OR WHOLE WITHOUT THE WRITTEN PERMISSION OF ALT IS PROHIBITED.</p> <p>7/26/2018</p>	<p>CAD GENERATED DRAWING, DO NOT MANUALLY UPDATE</p>		 <p>800-950-7960 FAX 940-455-2817 www.altfabrication.com sales@altfabrication.com</p>	<p>122 Leesley Lane Argyle, Texas 76226</p>	
	APPROVALS	DATE			TITLE:
	DRAWN	SF	03/10/14	PLATFORM 10' X 12'	
	CHECKED			DWG. NO. 2110J-1012	
	ENGINEER			SCALE: NTS	DO NOT SCALE DRAWING
ISSUED			SHEET: 3 OF 3		
FINISH: NONE			WEIGHT: 1639.65		REV. <b>B</b>