



#2109-4 Two Pole Equipment Rack

Assembly Instructions

BEFORE ASSEMBLY, review the detailed diagram to familiarize yourself with each part.

Step-by-Step Instructions for assembling Equipment Rack

1. Set poles in concrete per contractors specifications. See "A"
2. Attach channel strut to the 3-1/2" O.D. poles using the clamps provided. See diagram "B". Channel slides onto the clamp.
3. Tighten bolts and screw on clamp.
4. Space Channel strut per contractor's specifications for equipment.

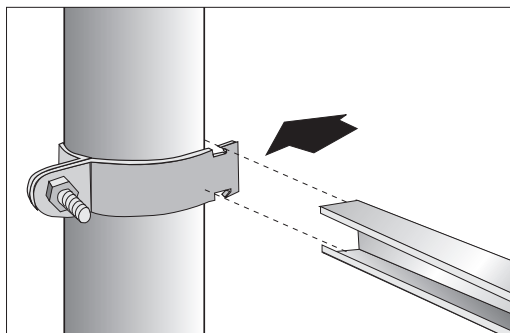


Figure B

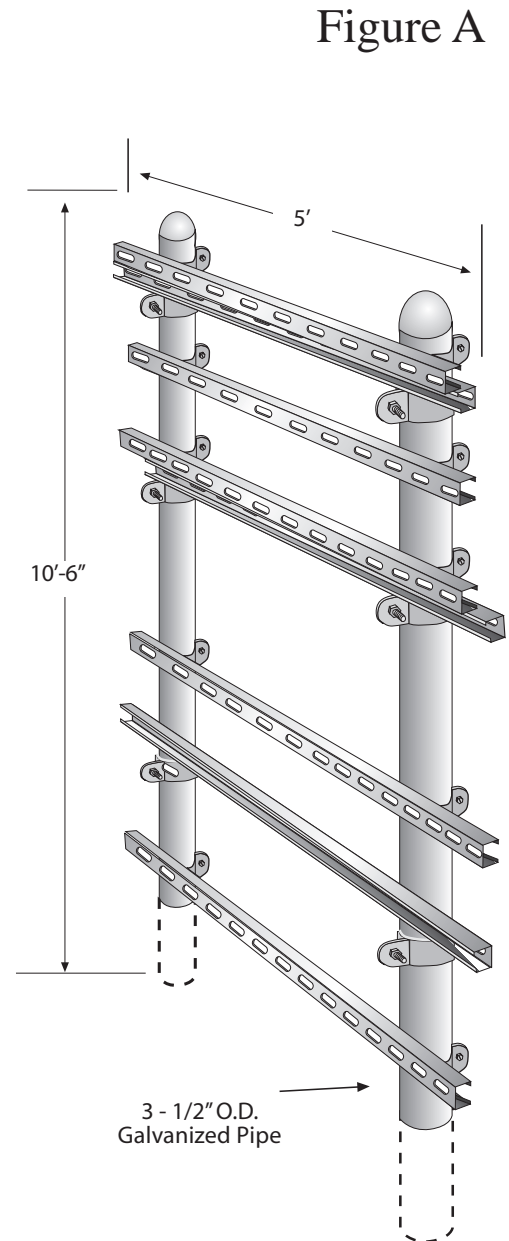


Figure A