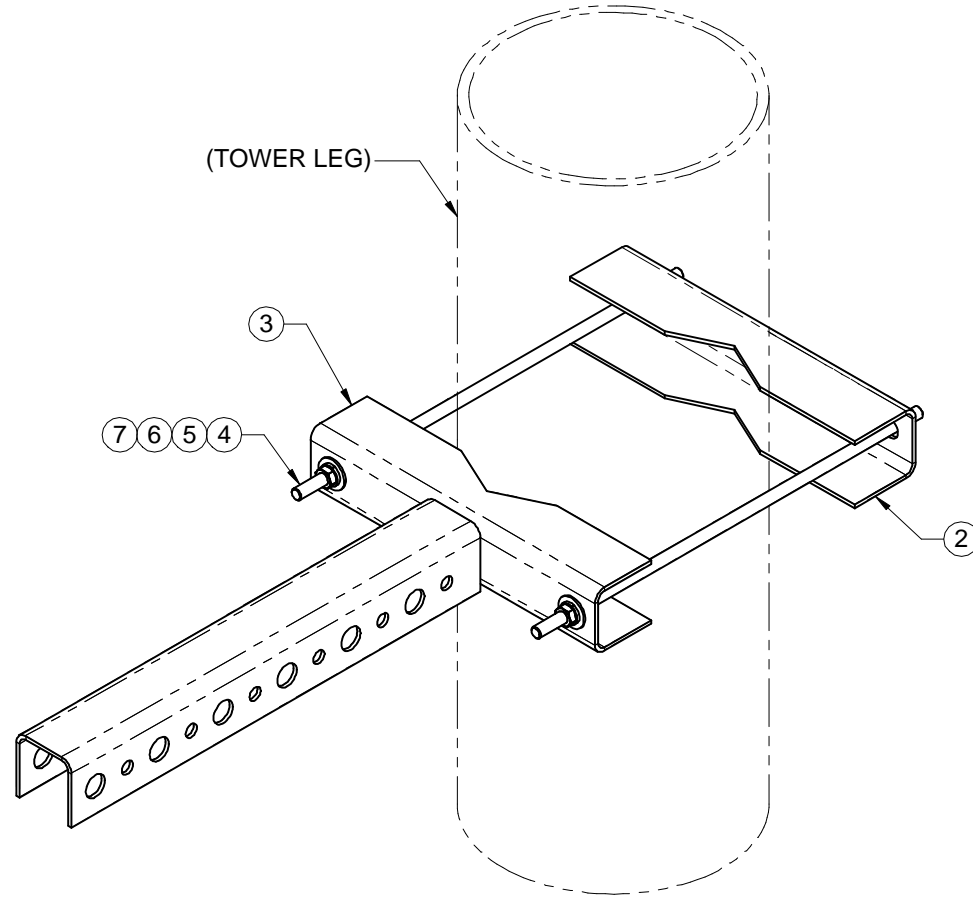



8 7 6 5 4 3 2 1

D
C
B
A

PART NO.
2105-2



ITEM NO.	QTY.	PART NO.	DESCRIPTION
2	1	7000-2105	MOUNT BRACKET, BUNDLE SUPPORT, COAX CABLE
3	1	7000-2105-2	WELDMENT, TEE SUPPORT, 12 COAX RUN
4	2	4310G-15	ALL THREAD, 3/8" X 15" LG. GALV
5	4	4621G	NUT, 3/8" HEX, GALV
6	4	4724G	WASHER, 3/8" RGLR LOCK, GALV
7	4	4720G	WASHER, 3/8" NARROW, GALV

THE INFORMATION CONTAINED IN THIS DRAWING IS THE SOLE PROPERTY OF ALT. ANY REPRODUCTION IN PART OR WHOLE WITHOUT THE WRITTEN PERMISSION OF ALT IS PROHIBITED. 8/27/2003	CAD GENERATED DRAWING. DO NOT MANUALLY UPDATE		 800-950-7933 FAX 940-455-2817 www.altfabrication.com sales@altfabrication.com	122 Leesley Lane Argyle, Texas 76226	
	APPROVALS				DATE
	DRAWN	CDM	08/13/03	TEE BUNDLE SUPPORT KIT 12 RUN COAX CABLE 1/2" TO 8-5/8" DIA TOWER LEG DWG. NO. 2105-2	
	CHECKED	JMD	08/14/03		
	ENGINEER	JMD	08/14/03		
ISSUED	DMR	08/14/03			
SCALE: NTS			DO NOT SCALE DRAWING	SHEET 1 OF 1	

REV. A