



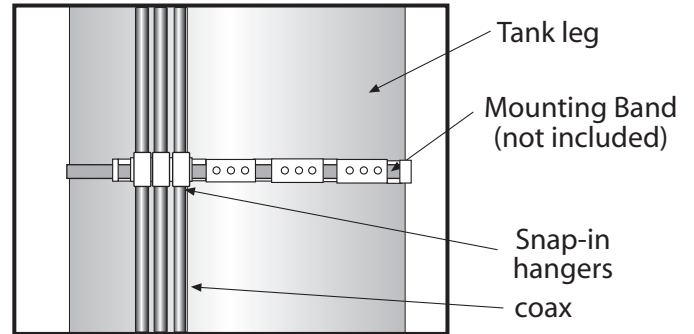
2103-1-6B, 9B, 12B Tank Leg Waveguide Kit

Assembly Instructions

BEFORE ASSEMBLY, review the detailed diagram to familiarize yourself with each part.

Step-by-Step Instructions for assembling kit

1. Compare the curve of the tank leg with the Bracket and bend the bracket to fit the application, if needed.
2. Slide band through the slots on the bracket.
3. Tighten and lock down the band.
4. Attach snap-in hangers as needed. (Not included.)



Typical Application

